

Qube 10 Up/ Down Wall Light

5.5W

Applications:

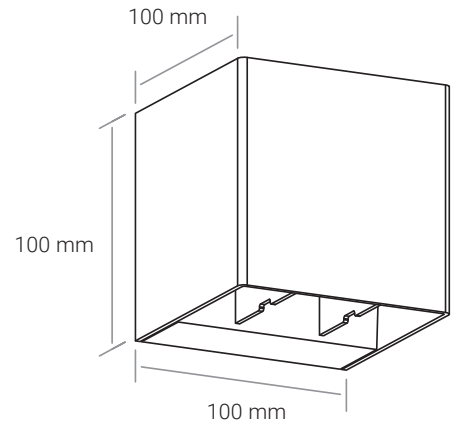
Residential and
Commercial Applications.

Product Performance	
Wattage	5.5W
Colour Temperature & Stock Code	White 3CCT(3000K/4000K/6000K) R421 Black 3CCT(3000K/4000K/6000K) R422
Operating Temperature	-20~50°C
Life Span/ LB Rating	L70B50@25000hr
IP Rating	IP65
LED Driver Brand	High Spec PioLED Driver
Beam Angle	0-110°
Impact Protection Grade	IK06
Input Voltage	220V- 240VAC
Surge Protection	1
Power Factor	>0,5
CRI	>83
Lumen Output	300lm
Lumen Efficiency	55lm/W
LED Chips	2835 Sanan
LED Chips Qty	2*9
Dimmable (Dali/Trailing/Leading)	No
Dimmable Range	-
UGR	33
(Dali/Trailing/Leading)	-
Physical Characteristics	
Weight (g)	340
Housing Material	PC+ABS
Product Dimensions (mm)	100*100*100
Cable Length	-
Mounting Option	Surface Mount
Bracket Material	-
Bolts and Screws	-

Packaging



Dimension Drawing



Technical Parameters

Input Current	0,03
Output Voltage	16-24V DC
Flicker Free (Y/N)	Yes
Humidity	0-90%RH
Frequency	50/60HZ
In Rush Current	10A Max
Output Current	250mA
THD	<70%
TA & TC	TA=50°C/TC=85°C
IES (Yes or No)	-

Regulatory Qualifications

Class Rating	Class II
Energy Efficiency	E
Certification	CE

Accessories

Optional accessories	-
-----------------------------	---

Packaging info

Storage Temp	-20~+60°C
Carton Size (mm)	58*23.5*24
QTY/CTN	20
Net Weight	7
Gross Weight	8