

Blind 23 Step/ Wall Light

3W

Applications:

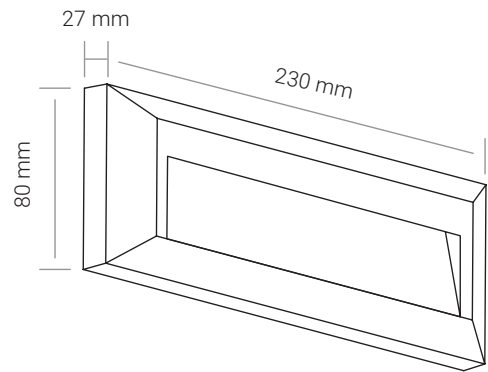
Residential and
Commercial Applications.

| Product Performance | |
|--|--|
| Wattage | 3W |
| Colour Temperature & Stock Code | White 4CCT(2200K/3000K/4000K/6000K) R419 Black 4CCT(2200K/3000K/4000K/6000K) R420 |
| Operating Temperature | -20~40°C |
| Life Span/ LB Rating | L70B50@25000hr |
| IP Rating | IP65 |
| LED Driver Brand | High Spec PioLED Driver |
| Beam Angle | 52° |
| Impact Protection Grade | IK06 |
| Input Voltage | 220V- 240VAC |
| Surge Protection | 1 |
| Power Factor | >0,5 |
| CRI | >83 |
| Lumen Output | 75lm |
| Lumen Efficiency | 46lm/W |
| LED Chips | 2835 Sanan |
| LED Chips Qty | 2*30 |
| Dimmable (Dali/Trailing/Leading) | No |
| Dimmable Range | - |
| UV Resistance | >4 |
| (Dali/Trailing/Leading) | - |
| Physical Characteristics | |
| Weight (g) | 220 |
| Housing Material | PC+ABS |
| Product Dimensions (mm) | 230*80*27 |
| Cable Length | - |
| Mounting Option | Surface Mount |
| Bracket Material | - |
| Bolts and Screws | - |

Packaging



Dimension Drawing



Technical Parameters

| | |
|---------------------------|-----------------|
| Input Current | 0,03 |
| Output Voltage | - |
| Flicker Free (Y/N) | Yes |
| Humidity | 0-90%RH |
| Frequency | 50/60HZ |
| In Rush Current | 7A Max |
| Output Current | - |
| THD | <150% |
| TA & TC | TA=50°C/TC=85°C |

Regulatory Qualifications

| | |
|--------------------------|-------------------|
| Class Rating | Class II |
| Energy Efficiency | E |
| Certification | CE, EMC, IEC60598 |

Accessories

Optional accessories

-

Packaging info

| | |
|-------------------------|------------|
| Storage Temp | -20~+60°C |
| Carton Size (mm) | 25*20.5*39 |
| QTY/CTN | 20 |
| Net Weight | 4,5 |
| Gross Weight | 5,8 |