



Vent 22 Step/ Wall Light

4W

Applications:

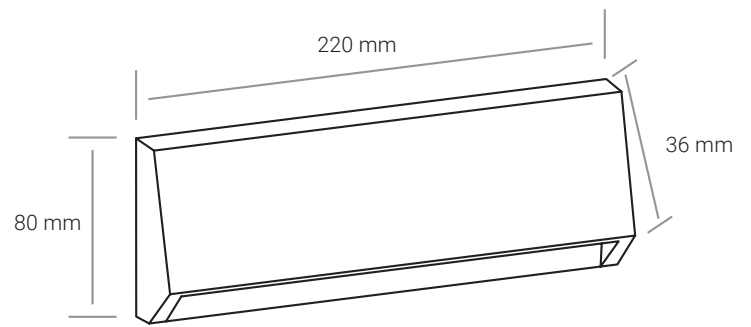
Residential and
Commercial Applications.

Product Performance	
Wattage	4W
Colour Temperature & Stock Code	White 4CCT(2200K/3000K/4000K/6000K) R416 Black 4CCT(2200K 3000K/4000K/6000K) R417
Operating Temperature	-20~40°C
Life Span/ LB Rating	L70B50@25000hr
IP Rating	IP65
LED Driver Brand	High Spec PioLED Driver
Beam Angle	60°
Impact Protection Grade	IK06
Input Voltage	220V- 240VAC
Surge Protection	1
Power Factor	>0,5
CRI	>83
Lumen Output	200lm
Lumen Efficiency	63lm/W
LED Chips	2835 Sanan
LED Chips Qty	2*28
Dimmable (Dali/Trailing/Leading)	No
Dimmable Range	-
UV Resistance	>4
(Dali/Trailing/Leading)	-
Physical Characteristics	
Weight (g)	200
Housing Material	PC+ABS
Product Dimensions (mm)	220*80*36
Cable Length	-
Mounting Option	Surface Mount
Bracket Material	-
Bolts and Screws	-

Packaging



Dimension Drawing



Technical Parameters

Input Current	0,035
Output Voltage	-
Flicker Free (Y/N)	Yes
Humidity	0-90%RH
Frequency	50/60HZ
In Rush Current	7A Max
Output Current	-
THD	<150%
TA & TC	TA=50°C/TC=85°C

Regulatory Qualifications

Class Rating	Class II
Energy Efficiency	E
Certification	CE, EMC, IEC60598

Accessories

Optional accessories

-

Packaging info

Storage Temp	-20~+60°C
Carton Size (mm)	47.5*22.5*20
QTY/CTN	20
Net Weight	4,3
Gross Weight	5,5