



IP44 Sensor Specs  
 Ambient brightness: 5LUX±5 - 2000LUX  
 Lighting Delay: 10s±5s - 10min±2min  
 Detection Distance: 4m - 8m±2m  
 Detecting Angle: 120°



# Oober Sensor Floodlight

## 50W

### Applications:

Residential and Commercial Applications.

- Die-Cast Aluminium housing with dynamic fins providing as an efficient and effective heatsink.
- Driver on Board Technology allowing for a super compact, unobtrusive LED Floodlight.
- 50cm pre wired cable allowing for fast and easy installations.
- Pre-Installed Safety Clips protecting the LED Floodlights lens.
- 2835 Sanán LED Chips producing a CRI>83.
- 120° Wide Beam Angle allowing for maximum coverage and uniformity.
- 3kV Surge protection, designed for use specifically in the South African Market.

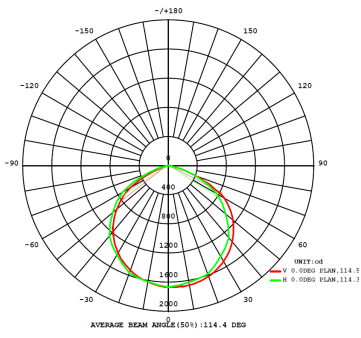
### Product Performance

<b>Wattage</b>	50W
<b>Colour Temperature &amp; Stock Code</b>	6000K <b>F359S</b>   3000K <b>F361S</b>
<b>Operating Temperature</b>	-30~45°C
<b>Life Span/ LB Rating</b>	25 000hrs
<b>IP Rating</b>	IP44
<b>LED Driver Brand</b>	DOB
<b>Beam Angle</b>	120°
<b>Impact Protection Grade</b>	IK06
<b>Input Voltage</b>	200V- 260V
<b>Surge Protection</b>	3kV
<b>Power Factor</b>	0.9
<b>CRI</b>	>83
<b>Lumen Output</b>	4500 lumens
<b>Lumen Efficiency</b>	90lm/W
<b>LED Chips</b>	2835 Sanan
<b>LED Chips Qty</b>	70
<b>Dimmable</b>	Non-Dimmable
<b>Dimmable Range</b>	-
<b>UGR</b>	-
<b>(Dali/Trailing/Leading)</b>	-

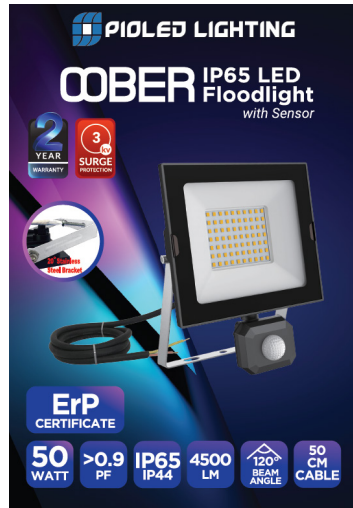
### Physical Characteristics

<b>Weight (g)</b>	570
<b>Housing Material</b>	Die cast Aluminium
<b>Product Dimensions (mm)</b>	150*191*57
<b>Cable Length</b>	50cm
<b>Mounting Option</b>	-
<b>Bracket Material</b>	Stainless steel
<b>Bolts and Screws</b>	Stainless steel

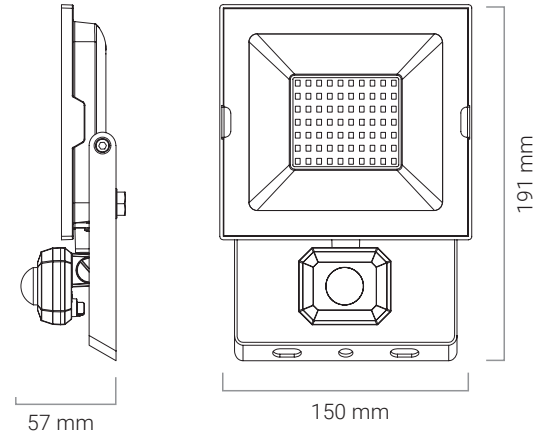
## Luminous Intensity Distribution Diagram



## Packaging



## Dimension Drawing



## Technical Parameters

<b>Input Current</b>	219ma
<b>Output Voltage</b>	252
<b>Humidity</b>	-20-45°C
<b>Frequency</b>	50Hz
<b>In Rush Current</b>	1000A
<b>Output Current</b>	200mA
<b>THD</b>	<15%
<b>TA &amp; TC</b>	TA=90/TC=85
<b>IES (Yes or No)</b>	Yes

## Regulatory Qualifications

<b>Class Rating</b>	Class I
<b>Energy Efficiency</b>	A
<b>Certification</b>	CE, EMC, IEC60598

## Accessories

<b>Optional accessories</b>	-
-----------------------------	---

## Packaging info

<b>Storage Temp</b>	20-40°C
<b>Carton Size (mm)</b>	37*32.5*24
<b>QTY/CTN</b>	10
<b>Net Weight</b>	5,7
<b>Gross Weight</b>	6,9