



Ranger UFO 3 in 1 Dim Highbay

150/200/240W

Applications:

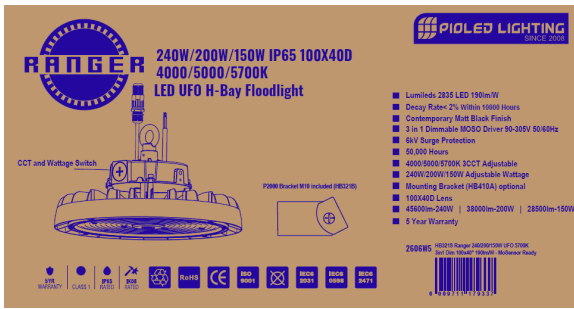
Residential and Commercial Applications.

- Specialised optics, featuring a asymmetric 100x40D° Lens, providing precise light distribution, ideal for warehouses and facilities with high shelving.
- Customizable colour temperature, easily selectable via the built in dip switch allowing maximum versatility. Selectable CCT provides 4000K, 5000K & 5700K.
- Delivering 190lm/W, this UFO Highbay provides maximum light output with lower energy consumption whilst maintaining superior illumination.
- Adjustable wattage selector, allowing you to easily select between 150W, 200W & 240W giving you full control over the brightness and energy use.
- Comes complete with multiple mounting options, use either the eyebolt, the included surface mount bracket, or the P2000 bracket for quick, secure and flexible installations.
- Designed for industrial environments, ensuring long lasting performance with minimal maintenance.

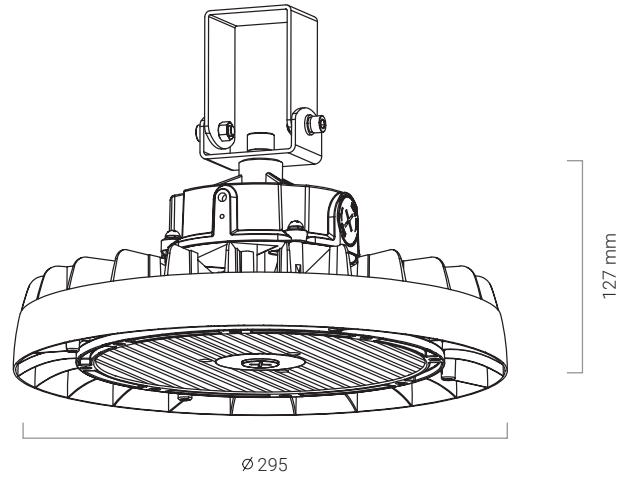
Product Performance

Wattage	150/200/240W (All-in-one)
Colour Temperature & Stock Code	4000/5000/5700K - HB321 4000/5000/5700K Motion Sensor Ready - HB321S
Operating Temperature	-30~50°C
Life Span/ LB Rating	L80B10@50000 hrs
IP Rating	IP65
LED Driver Brand	Moso Driver
Beam Angle	100X40°
Impact Protection Grade	IK08
Input Voltage	100V- 277V
Surge Protection	6kV
Power Factor	>0.9
CRI	>70
Lumen Output	150W = 28 500lm 200W = 38 000lm 240W = 45 600lm
Lumen Efficiency	190lm/W
LED Chips	Lumileds 2835
LED Chips Qty	560
Dimmable	Yes
Dimmable Range	0-10VDC/PWM/Resistor
Physical Characteristics	
Weight (g)	1800
Housing Material	Aluminium
Product Dimensions (mm)	Φ295*121.5mm
Cable Length	0.8 meter
Mounting Option	Eyebolt, Surface Mount Bracket, P2000 Bracket
Bracket Material	-
Bolts and Screws	304 Stainless Steel

Packaging



Dimension Drawing



Technical Parameters

Input Current	1.1A@230VAC
Output Voltage	252V DC
Humidity	10-100%RH
Frequency	50/60Hz
In Rush Current	100A
Output Current	0.95A
THD	<10%
TA & TC	Ta 50°C Tc 90°C

Regulatory Qualifications

Class Rating	Class I
Energy Efficiency	A
Certification	CE, RoHS, UL, DLC, IEC62031 and IEC60598

Accessories

Optional accessories	P2000 Bracket M10 included - HB321B
-----------------------------	--

Packaging info

Storage Temp	-30~+50°C
Carton Size (mm)	650*330*365
QTY/CTN	4
Net Weight	8
Gross Weight	11.5