



# Troi 3CCT IP65 Floodlight

200W

## Applications:

Residential and Commercial Applications.

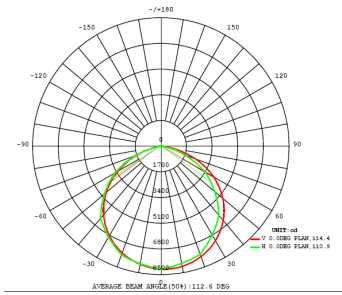
### Product Performance

<b>Wattage</b>	200W
<b>Colour Temperature &amp; Stock Code</b>	3CCT (3000/4000/6000K) - <b>F525</b>
<b>Operating Temperature</b>	-20~45°C
<b>Life Span/ LB Rating</b>	L70B50@30000 hrs
<b>IP Rating</b>	IP65
<b>LED Driver Brand</b>	DOB
<b>Beam Angle</b>	120°
<b>Impact Protection Grade</b>	IK06
<b>Input Voltage</b>	200V- 265V
<b>Surge Protection</b>	4kV
<b>Power Factor</b>	0.9
<b>CRI</b>	>80
<b>Lumen Output</b>	22000lm
<b>Lumen Efficiency</b>	110lm/W
<b>LED Chips</b>	Sanan 2835
<b>LED Chips Qty</b>	504

### Physical Characteristics

<b>Weight (kg)</b>	2050g
<b>Housing Material</b>	Aluminium
<b>Product Dimensions (mm)</b>	353*254*28
<b>Cable Length</b>	50cm
<b>Mounting Option</b>	-
<b>Bracket Material</b>	201 Stainless Steel Bracket
<b>Bolts and Screws</b>	304 Stainless Steel

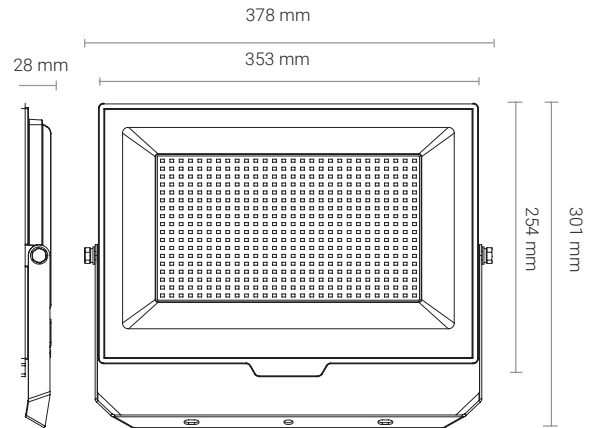
## Luminous Intensity Distribution Diagram



## Packaging



## Dimension Drawing



## Technical Parameters

<b>Input Current</b>	0.860A
<b>Output Voltage</b>	252V
<b>Humidity</b>	40%-60%
<b>Frequency</b>	50/60Hz
<b>In Rush Current</b>	450A
<b>Output Current</b>	0.680A
<b>THD</b>	<40%
<b>TA &amp; TC</b>	TA=90/TC=85
<b>IES (Yes or No)</b>	Yes

## Regulatory Qualifications

<b>Class Rating</b>	Class I
<b>Energy Efficiency</b>	F
<b>Certification</b>	CE, IEC60598

## Accessories

<b>Optional accessories</b>	-
-----------------------------	---

## Packaging info

<b>Storage Temp</b>	-20~+40°C
<b>Carton Size (cm)</b>	40x24.5x33
<b>QTY/CTN</b>	6
<b>Net Weight</b>	12,6
<b>Gross Weight</b>	14,5