



Troi 3CCT IP65 Floodlight

20W

Applications:

Residential and Commercial Applications.

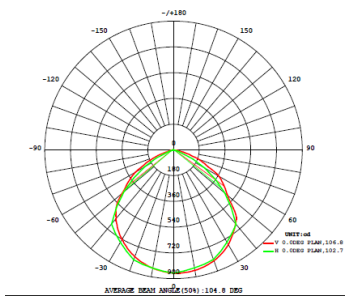
Product Performance

Wattage	20W
Colour Temperature & Stock Code	3CCT (3000/4000/6000K) - F521
Operating Temperature	-20~45°C
Life Span/ LB Rating	L70B50@30000 hrs
IP Rating	IP65
LED Driver Brand	DOB
Beam Angle	120°
Impact Protection Grade	IK06
Input Voltage	200V- 265V
Surge Protection	3kV
Power Factor	0.9
CRI	>80
Lumen Output	2200lm
Lumen Efficiency	110lm/W
LED Chips	Sanan 2835
LED Chips Qty	56

Physical Characteristics

Weight (kg)	310g
Housing Material	Aluminium
Product Dimensions (mm)	132*105*28
Cable Length	50cm
Mounting Option	-
Bracket Material	201 Stainless Steel Bracket
Bolts and Screws	304 Stainless Steel

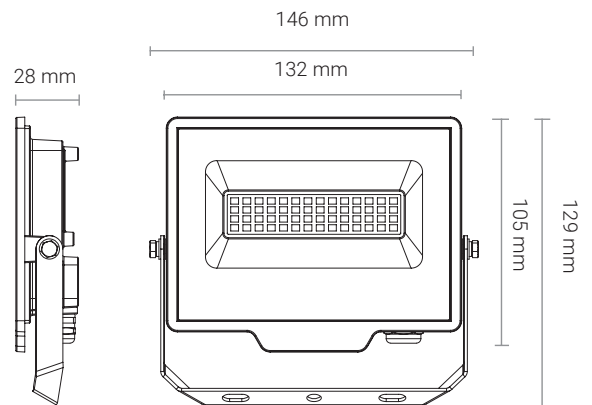
Luminous Intensity Distribution Diagram



Packaging



Dimension Drawing



Technical Parameters

Input Current	0.09A
Output Voltage	252V
Humidity	40%-60%
Frequency	50/60Hz
In Rush Current	140A
Output Current	0.067A
THD	<40%
TA & TC	TA=90/TC=85
IES (Yes or No)	Yes

Regulatory Qualifications

Class Rating	Class I
Energy Efficiency	F
Certification	CE, IEC60598

Accessories

Optional accessories

-

Packaging info

Storage Temp	-20~+40°C
Carton Size (cm)	37.5x31.5x29
QTY/CTN	40
Net Weight	12,6
Gross Weight	14,8