



Combat GU10 Downlighter

6W

Applications:

Residential and Commercial Applications.

- Thermoplastic housing coupled with internal aluminium and Silicone for a cost effective durable GU10 solution.
- Available in a Dimmable option, with a smooth 0-100% dimming range.
- 60° beam angle GU10 with our Low Glare, Comfort Lens.
- Highly Efficient 2835 SMD LED Chips delivering up to 110lm/W.
- Available in Colour temperatures of 3000K/4000K/6000K.
- Wide Voltage Range 170V-277V designed specifically for the South African Market.
- Environmentally friendly choice serving as a direct replacement to 50W Halogen lamps.
- Suitable for Sylo PC housing UP & DOWN IP65 fixture

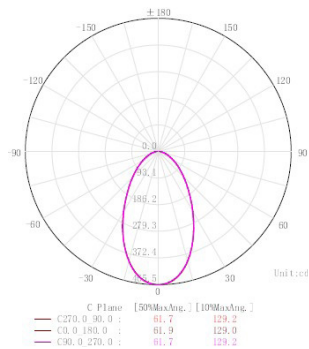
Product Performance

Wattage	6W
Colour Temperature & Stock Code	6000K D026 3000K D027 4000K D028 6000K DD026 3000K DD027 4000K DD028
Operating Temperature	-20~40°C
Life Span/ LB Rating	L70B50@25000HRS
IP Rating	IP20
LED Driver	PioLED High Spec Driver
Beam Angle	60°
Input Voltage	170V-277V
Surge Protection	1kV
CRI	>83
Lumen Output	650 Lumens (4000K) 640 Lumens (6000K) 575 Lumens (3000K)
Lumen Efficiency	110
LED Chips	2835 Epistar
LED Chips Qty	12
LED Chip Brand	San'an
Dimmable	Yes Dimmable options available
Dimmable Range	0-100
(Dali/Trailing/Leading)	Leading

Physical Characteristics

Weight (g)	50,2
Housing Material	Aluminum + PC
Product Dimensions (mm)	50*56mm
Cable Length	-
Mounting Option	GU10
Bracket Material	-

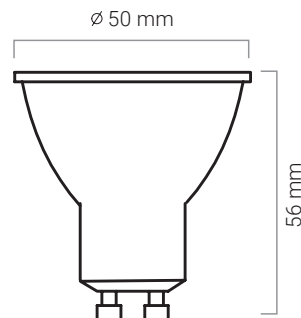
Luminous Intensity Distribution Diagram



Packaging



Dimension Drawing



Technical Parameters

Input Current	34mA
Output Voltage	75V
Humidity	80%
Frequency	50/60Hz
Output Current	78mA
IES (Yes or No)	Yes
Regulatory Qualifications	
Class Rating	Class II
Energy Efficiency	D026 - 103,64 - F D027 - 92,73 - F D028 - 104,07 - F DD026 - 111,57 - F DD027 - 96,24 - F DD028 - 107,87 - F
Certification	CE, EMC, RoHS, ErP
Accessories	
Optional accessories	---
Packaging info	
Storage Temp	-20°C~+80°C
Carton Size (mm)	55*28*15
QTY/CTN	100
Net Weight	4,5
Gross Weight	5,5