



Strada Street Light

150W

Applications:

Residential and Commercial Applications.

- Highly Durable LED Street Light constructed with a Die-Cast aluminium housing & PC Lens.
- Lumileds 3030 LED delivering an effective 150/170lm/W with a rated lifespan of L80B10 @ 50 000hrs.
- Type II-S beam angle preventing unnecessary backward light pollution.
- Wide input Voltage range 100V-277V with a 10kV (replaceable) built in surge protection allowing for maximum durability and robustness over the LED Luminaires lifespan.
- Wide operating temperature range of -25°~50°.
- Fits a standard D40-60mm Pole or D76-84 with our optional Pole Mount Adaptor HS016.
- IP66 rated luminaire with a CRI>83 for improved clarity & colour rendering.
- Nema Sensor ready LED Street light (60W/100W) for hassle free installation.
- Tool free maintenance with the Strada's gasket sealed power supply housing.

Product Performance

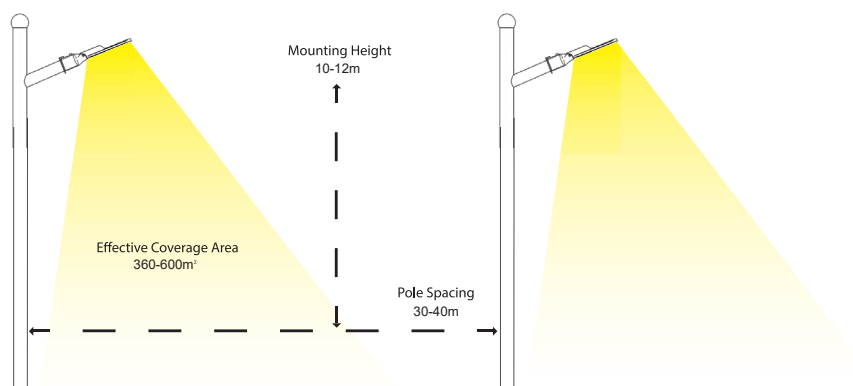
| | |
|--|--|
| Wattage | 150W |
| Colour Temperature & Stock Code | 5700K - HS010 / 4000K - HS011 =6000K |
| Operating Temperature | -25~50°C |
| Life Span/ LB Rating | L80B10@50000hr |
| IP Rating | IP66 |
| LED Driver Brand | High Spec PioLED Driver |
| Beam Angle | T2-S |
| Impact Protection Grade | IK08 |
| Input Voltage | 100-277V |
| Surge Protection | 10kV (Replaceable) |
| Power Factor | 0.95 |
| CRI | 83 |
| Lumen Output | 25 500 (from batch 2406) |
| Lumen Efficiency | 170lm/W (from batch 2406) |
| LED Chips | Lumileds 3030 |
| LED Chips Qty | 176 |
| Dimmable | Non-Dimmable |

Physical Characteristics

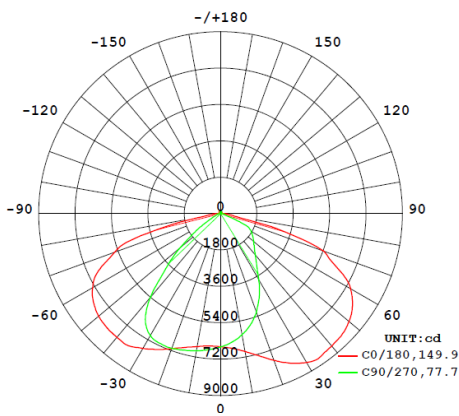
| | |
|--------------------------------|---|
| Weight (g) | 5300 |
| Housing Material | Pure Aluminium + PC Len |
| Product Dimensions (mm) | 280*650*173 |
| Mounting Option | Fits a standard D40-60mm Pole or D76-84 with our optional Adaptor HS016 |

Bolts and Screws

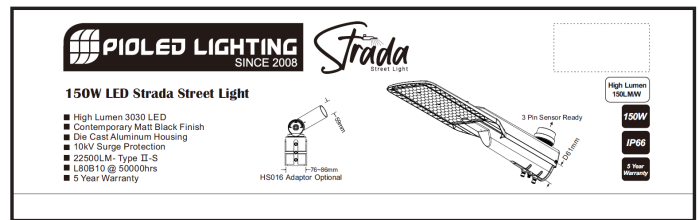
316 Stainless steel



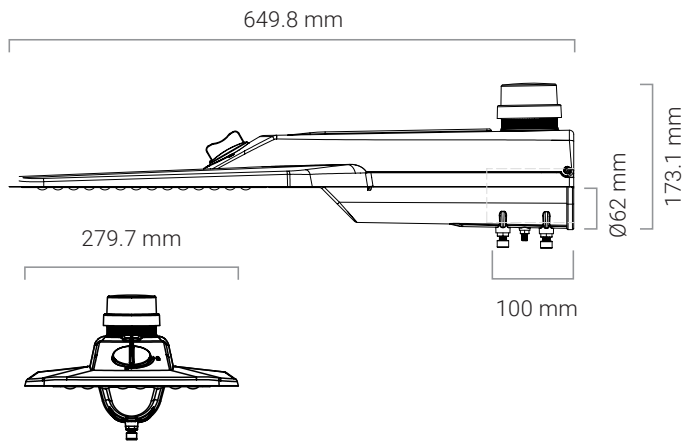
Luminous Intensity Distribution Diagram



Packaging



Dimension Drawing



Technical Parameters

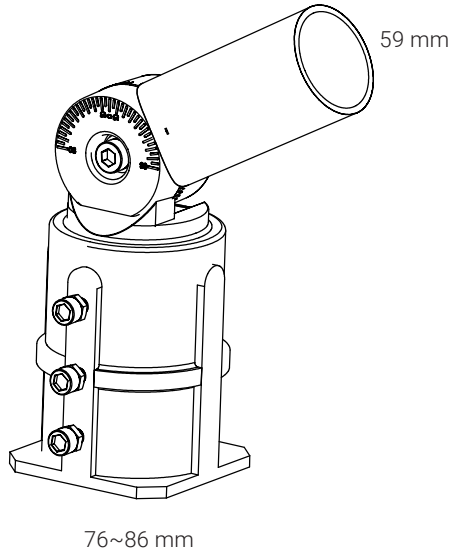
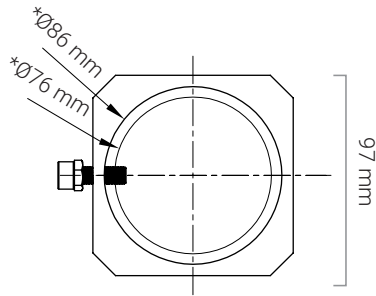
| | |
|----------------------------------|--------------------------------------|
| Input Current | 1.66A |
| Output Voltage | 46,4V |
| Humidity | 10-98% |
| Frequency | 50/60Hz |
| In Rush Current | 75A |
| Output Current | 29700mA |
| THD | ≤20% |
| TA & TC | TA=60/TC=90 |
| IES (Yes or No) | Yes |
| Regulatory Qualifications | |
| Class Rating | Class II |
| Energy Efficiency | A |
| Certification | CE, EMC, IEC60598, ErP |
| Accessories | |
| Optional accessories | 76-84mm Strada Adaptor- HS016 |
| Packaging info | |
| Storage Temp | -20~+50° |
| Carton Size (mm) | 735*345*410 |
| QTY/CTN | 2 |
| Net Weight | 5,3 |
| Gross Weight | 6,5 |



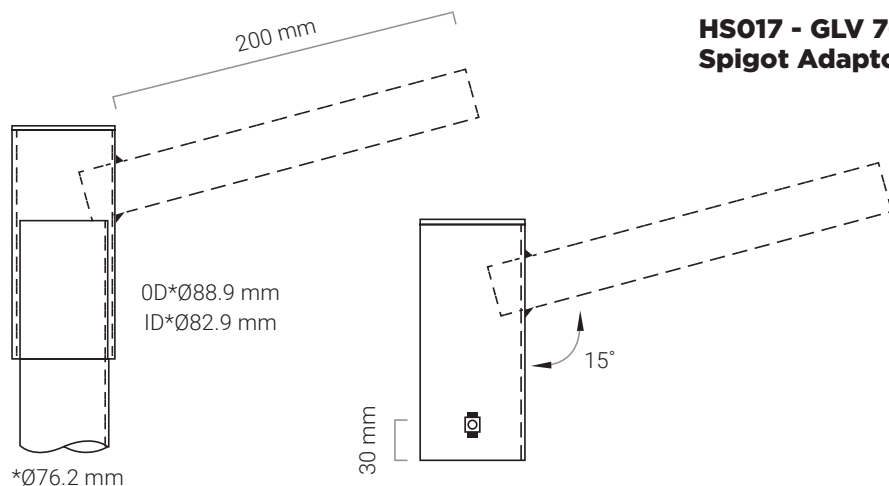
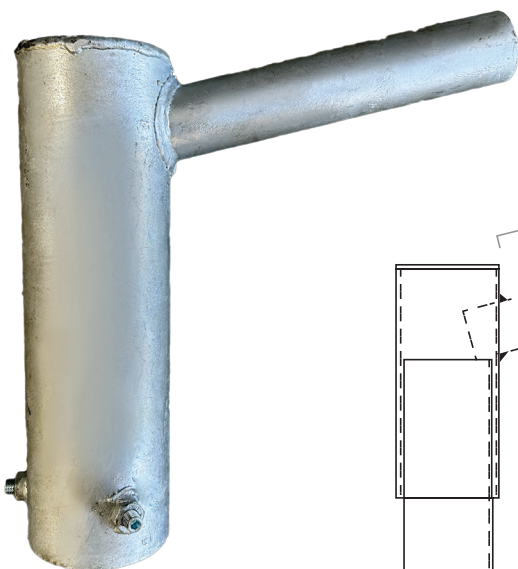
**PIOLED
LIGHTING**
SINCE 2008

Strada Accessories

**HS016 - Aluminium
Adaptor for Strada
76-84mm**



| Physical Characteristics | |
|--------------------------|--------------------|
| Weight (kg) | 1,08 |
| Housing Material | Die Cast Aluminium |
| Packaging info | |
| Carton Size (mm) | 505*330*415 |
| QTY/CTN | 20 |
| Net Weight | 19.2 |
| Gross Weight | 20 |



**HS017 - GLV 76mm
Spigot Adaptor**