



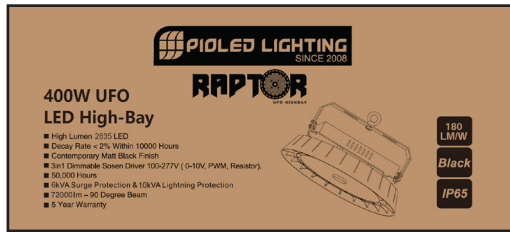
# Raptor 3 in 1 Dimmable Highbay

400W

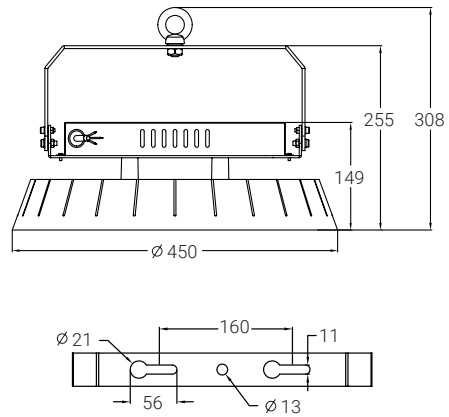
**Applications:** Industrial and Commercial Applications.

Product Performance	
<b>Wattage</b>	400W
<b>Colour Temperature &amp; Stock Code</b>	5700K 90° - <b>HB320</b>
<b>Operating Temperature</b>	-30~50°C
<b>Life Span/ LB Rating</b>	L80BIO@50000 hrs
<b>IP Rating</b>	IP65
<b>LED Driver Brand</b>	3 in 1 Dimmable Sosen Driver
<b>Beam Angle</b>	90°
<b>Impact Protection Grade</b>	IK08
<b>Input Voltage</b>	100V- 277V
<b>Surge Protection</b>	10kV
<b>Power Factor</b>	0.9
<b>CRI</b>	>80
<b>Lumen Output</b>	72 000
<b>Lumen Efficiency</b>	180lm/W
<b>LED Chips</b>	Lumileds 2835
<b>LED Chips Qty</b>	800
<b>Dimmable</b>	Yes 3 in 1 (0-10V, PWM, Resistor)
<b>Dimmable Range</b>	1-100%
Physical Characteristics	
<b>Weight (g)</b>	8700
<b>Housing Material</b>	Aluminium
<b>Product Dimensions (mm)</b>	Φ450*255mm
<b>Cable Length</b>	30cm
<b>Mounting Option</b>	Safety Cable and Hanging Hook
<b>Bracket Material</b>	Iron
<b>Bolts and Screws</b>	304 Stainless Steel

## Packaging



## Dimension Drawing



### Technical Parameters

<b>Input Current</b>	1.740A
<b>Output Voltage</b>	240VDC
<b>Humidity</b>	10-90%
<b>Frequency</b>	50/60Hz
<b>In Rush Current</b>	110A
<b>Output Current</b>	1650mA
<b>THD</b>	<15%
<b>TA &amp; TC</b>	Ta: 45°C Tc: 85°C
<b>IES (Yes or No)</b>	Yes

### Regulatory Qualifications

<b>Class Rating</b>	Class I
<b>Energy Efficiency</b>	A
<b>Certification</b>	CE, RoHS, IEC60598, IEC62031, IEC62471

### Accessories

<b>Optional accessories</b>	-
-----------------------------	---

### Packaging info

<b>Storage Temp</b>	-40~+80°C
<b>Carton Size (mm)</b>	515*515*230
<b>QTY/CTN</b>	1
<b>Net Weight</b>	8.7
<b>Gross Weight</b>	10.1