

# Samurai Dali Dimmable Highbay

## 160W

**Applications:** Industrial and Commercial Applications.

- Powered by the Robust Dali Dimmable Driver.
- High Lumen Lumileds 2835 SMD LED Chips delivering 190lm/W.
- Wide Voltage Range 90V-305V with a 6kV Built in surge protection.
- Standard Beam angle of 90° or 60°.
- TM21, L80B10 @ 50 000hrs.
- High CRI LED Chips with an Anti-Glare reflector designed for maximum eye comfort in demanding applications.
- Available in 3CCT Colour Temperature (4000K/5000K/5700K).
- Wide operating temperature range from -40°C ~ 50°C.
- Suspension or Bracket mount optional.
- Standard safety buckle, 1m safety string (max 35kg) and two waterproof glands.

### Product Performance

<b>Wattage</b>	160W
<b>Colour Temperature &amp; Stock Code</b>	3CCT(4000K/5000K/5700K) 90° - <b>HB312</b> 3CCT(4000K/5000K/5700K) 60° - <b>HB313</b>
<b>Operating Temperature</b>	-40~50°C
<b>Life Span/ LB Rating</b>	L80B10@50000 hrs
<b>IP Rating</b>	IP65
<b>LED Driver Brand</b>	Dali Dimmable Driver
<b>Beam Angle</b>	90° or 60°
<b>Impact Protection Grade</b>	IK10
<b>Input Voltage</b>	90V- 305V
<b>Surge Protection</b>	6kV
<b>Power Factor</b>	>0.95
<b>CRI</b>	80
<b>Lumen Output</b>	30 400
<b>Lumen Efficiency</b>	190lm/W
<b>LED Chips</b>	Lumileds
<b>LED Chips Qty</b>	364
<b>Dimmable</b>	Yes
<b>(Dali/Trailing/Leading)</b>	Dali

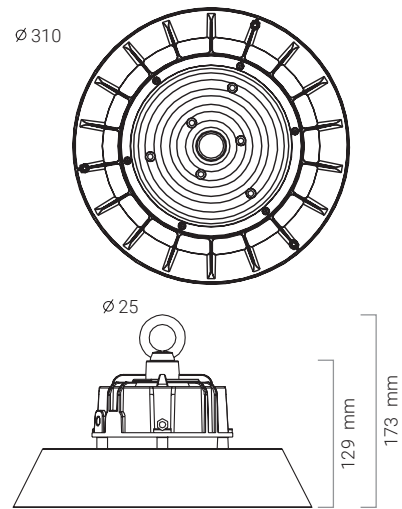
### Physical Characteristics

<b>Weight (kg)</b>	3
<b>Housing Material</b>	Die-cast Aluminium
<b>Product Dimensions (mm)</b>	Φ310*173mm
<b>Cable Length</b>	1 meter
<b>Mounting Option</b>	Suspension or Bracket
<b>Bracket Material</b>	Iron
<b>Bolts and Screws</b>	Stainless Steel

## Packaging



## Dimension Drawing



### Technical Parameters

<b>Input Current</b>	800mA
<b>Output Voltage</b>	240V
<b>Flicker Free (Y/N)</b>	Yes
<b>Humidity</b>	40-80%
<b>Frequency</b>	50/60Hz
<b>In Rush Current</b>	80A
<b>Output Current</b>	0.6A
<b>THD</b>	<20%
<b>TA &amp; TC</b>	-40~45&65°C

### Regulatory Qualifications

<b>Class Rating</b>	Class I
<b>Energy Efficiency</b>	A
<b>Certification</b>	CE, EMC, IEC60598

### Accessories

<b>Optional accessories</b>	SS Bracket for Helios or Samurai Black/Pair - <b>HB400</b>
-----------------------------	--

### Packaging info

<b>Storage Temp</b>	-40~+60°C
<b>Carton Size (mm)</b>	370*370*180
<b>QTY/CTN</b>	1
<b>Net Weight</b>	2.8
<b>Gross Weight</b>	3.03