

Samurai V200 Highbay

160/120/80W

Applications:

Residential and Commercial Applications.

Powered by the Robust 3 IN 1 Dimmable Sosen LED Driver(1-10V, PWM, Resistance).

- High Lumen Lumileds 2835 SMD LED Chips delivering 150lm/W.

- Wide Voltage Range 90V-305V with a 6kV Built in surge protection.

- Standard Beam angle of 90°.

- TM21, L80B10 @ 50 000hrs.

- High CRI LED Chips with an Anti-Glare reflector designed for maximum eye comfort in demanding applications.

- Available in Industrial Spec 5700K or 4000K.

- Wide operating temperature range from -40°C ~ 50°C.

- Suspension or Bracket mount optional.

Product Performance

Wattage	80W/120W/160W (All-in-one)
Colour Temperature & Stock Code	5700K 90° - HB310 4000K 90° - HB311
Operating Temperature	-40~50°C
Life Span/ LB Rating	L80B10@50000 hrs
IP Rating	IP65
LED Driver Brand	Sosen Dimmable Driver
Beam Angle	90°
Impact Protection Grade	IK10
Input Voltage	90V- 305V
Surge Protection	6kV
Power Factor	>0.95
CRI	80
Lumen Output	32000lm@160W 24000@120W 16000lm@80W
Lumen Efficiency	200lm/W
LED Chips	Lumileds
LED Chips Qty	672
Dimmable	Yes
(Dali/Trailing/Leading)	-

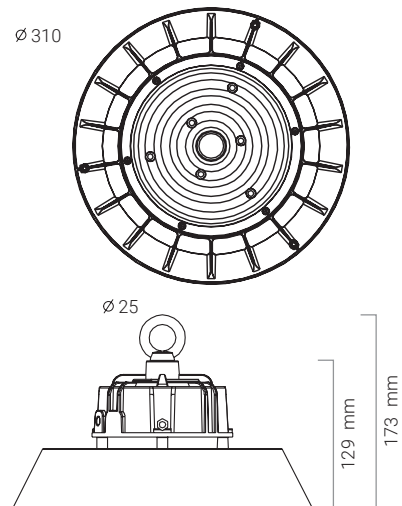
Physical Characteristics

Weight (kg)	2.3
Housing Material	Die-cast Aluminium
Product Dimensions (mm)	Φ310*173mm
Cable Length	1 meter
Mounting Option	Suspension or Bracket
Bracket Material	Iron
Bolts and Screws	Stainless Steel

Packaging



Dimension Drawing



Technical Parameters

Input Current	0.73A @230V AC
Output Voltage	180-260V
Flicker Free (Y/N)	Yes
Humidity	10-90%RH
Frequency	50/60Hz
In Rush Current	100A
Output Current	0.52-0.75A
THD	<20%
TA & TC	74,8

Regulatory Qualifications

Class Rating	Class I
Energy Efficiency	A
Certification	CE, EMC, IEC60598

Accessories

Optional accessories	SS Bracket for Helios or Samurai Black/Pair - HB400
-----------------------------	--

Packaging info

Storage Temp	-20~+90°C
Carton Size (mm)	350*350*165
QTY/CTN	1
Net Weight	2.3
Gross Weight	2.9