



# IP65 Heavy Duty UFO Highbay

## 160W

### Applications:

Residential and Commercial Applications.

- Meanwell IP65 constant current driver with 6kV Built in Surge Protection.
- High Lumen Lumileds LED Chips delivering an impressive 170lm/W.
- Suspension or Bracket mount options.
- 90° standard beam angle with a 120° optic optional.
- High CRI, smooth and even light distribution increasing visibility, safety and clarity reducing unnecessary workplace injuries.
- Eco friendly alternative to HID lamps containing no mercury, lead or harmful chemicals.
- Eliminates the need for unnecessary annual/bi-annual lamp and ballast replacement costs.
- Thermally tested to ensure ample heat dissipation increasing longevity of the luminaire.
- Short Circuit Protection, Over Current Protection, Over Voltage Protection, Under Voltage Protection, Over Temperature Protection.

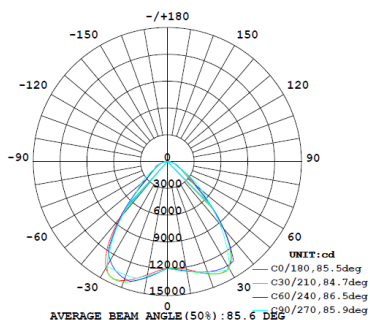
### Product Performance

<b>Wattage</b>	160W
<b>Colour Temperature &amp; Stock Code</b>	5700K 120° - <b>HB003</b>   5700K 90° - <b>HB004</b>
<b>Operating Temperature</b>	-40~40°C
<b>Life Span/ LB Rating</b>	L80B10@50 000hrs
<b>IP Rating</b>	IP65
<b>LED Driver Brand</b>	Mean Well
<b>Beam Angle</b>	Available in 90° & 120°
<b>Impact Protection Grade</b>	IK08
<b>Input Voltage</b>	85V- 277V
<b>Surge Protection</b>	6kV
<b>Power Factor</b>	0.95
<b>CRI</b>	>83
<b>Lumen Output</b>	27 200
<b>Lumen Efficiency</b>	170lm/W
<b>LED Chips</b>	Lumileds 3030
<b>LED Chips Qty</b>	245
<b>Dimmable</b>	No
<b>Dimmable Range</b>	-
<b>(Dali/Trailing/Leading)</b>	-

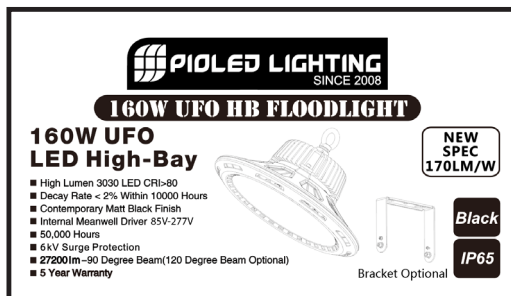
### Physical Characteristics

<b>Weight (g)</b>	3300
<b>Housing Material</b>	Aluminium Heat Fins
<b>Product Dimensions (mm)</b>	Φ325*201mm
<b>Cable Length</b>	50 cm
<b>Mounting Option</b>	Suspension or Bracket
<b>Bracket Material</b>	Aluminium
<b>Bolts and Screws</b>	304 Stainless Steel

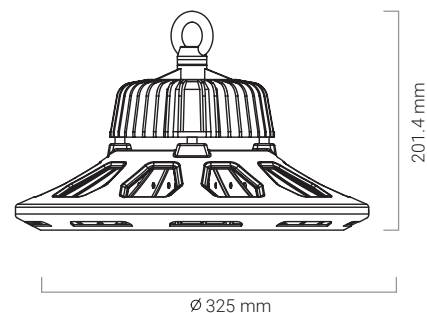
## Luminous Intensity Distribution Diagram



## Packaging



## Dimension Drawing



## Technical Parameters

Input Current	0.7A
Output Voltage	42V
Humidity	10-98%RH
Frequency	50/60Hz
In Rush Current	65A
Output Current	3500mA
THD	<20%
TA & TC	TA=45/TC=90
IES (Yes or No)	Yes

## Regulatory Qualifications

Class Rating	Class I
Energy Efficiency	A
Certification	CE, EMC, RoHS, ISO9001

## Accessories

### Optional accessories

120° Lens - **HB004A**  
Mounting Bracket Optional - **HB004C**

## Packaging info

Storage Temp	-20~+70°C
Carton Size (mm)	410*410*220
QTY/CTN	1
Net Weight	4,21
Gross Weight	5.2