



Thor Coastal Floodlight

100W

Applications:

Residential and Commercial Applications.

- High Lumen Lumileds 3030 LED Chip achieving 130lm/W for 20-50W, 140lm/W for 100-200W and 150lm/W for 500W THOR.
- Integrated IP65 constant current LED Power Supply with built in 3-10kV Surge Protection.
- Dynamic thermal management design maximizing heat dissipation ultimately increase the service life of the luminaire.
- Robust design allows for demanding applications.
- Our Premium Range LED Floods come complete with a 1m installation cable.
- 20 to 500W come complete with a breather gland reducing all forms of condensation that may occur due to harsh climatic conditions.
- Aluminium housing with anti-corrosive powder coating finish.
- 316 Stainless steel screws and bolts with 304 Stainless steel reinforced extended bracket.
- White reflector allowing for maximum light distribution.
- Eco-friendly alternative to HID lamps containing no mercury, lead or other harmful chemicals.
- Instant on LED Light Source.

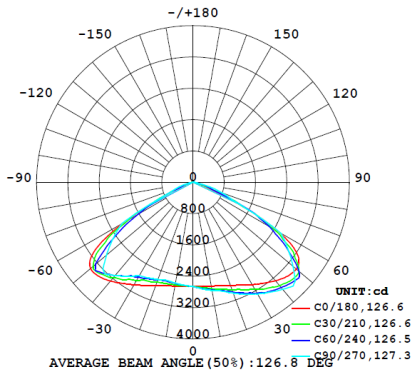
Product Performance

| | |
|--|-------------------|
| Wattage | 100W |
| Colour Temperature & Stock Code | 6000K F112 |
| Operating Temperature | -30~40°C |
| Life Span/ LB Rating | L80B20>50000H |
| IP Rating | IP66 |
| LED Driver Brand | Mean Well |
| Beam Angle | 120° |
| Impact Protection Grade | IK10 |
| Input Voltage | 90V- 300V |
| Surge Protection | 4kV |
| Power Factor | 0.95 |
| CRI | >80 |
| Lumen Output | 14 000 |
| Lumen Efficiency | 140lm/W |
| LED Chips | Lumileds 3030 |
| LED Chips Qty | 96 |
| Dimmable | Non-Dimmable |
| Dimmable Range | - |
| UGR | 33 |
| (Dali/Trailing/Leading) | - |

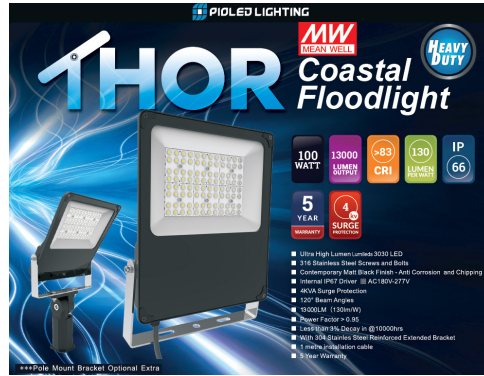
Physical Characteristics

| | |
|--------------------------------|-----------------------------|
| Weight (kg) | 3,12 |
| Housing Material | Die cast Aluminium |
| Product Dimensions (mm) | 364*278*52 |
| Cable Length | 1m |
| Mounting Option | - |
| Bracket Material | 304 Stainless Steel Bracket |
| Bolts and Screws | 316 Stainless Steel |

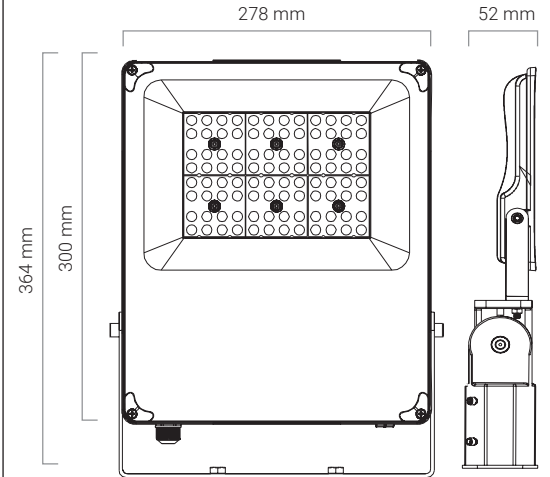
Luminous Intensity Distribution Diagram



Packaging



Dimension Drawing



Technical Parameters

| | |
|---------------------------|-----------------------|
| Input Current | 500mA |
| Output Voltage | 48 |
| Flicker Free (Y/N) | Yes |
| Humidity | 40%~80% |
| Frequency | 47-63hz |
| In Rush Current | 60A |
| Output Current | 1.9A |
| THD | <20% |
| TA & TC | TA=-30 ~45 °C/TC=65°C |
| IES (Yes or No) | Yes |

Regulatory Qualifications

| | |
|--------------------------|----------------------------------|
| Class Rating | Class I |
| Energy Efficiency | A |
| Certification | CE, EMC, IEC60598, RoHS, ISO9001 |

Accessories

| | |
|-----------------------------|----------------------------|
| Optional accessories | Pole Mount Bracket - F025D |
|-----------------------------|----------------------------|

Packaging info

| | |
|-------------------------|-------------|
| Storage Temp | -40~+60°C |
| Carton Size (mm) | 390*305*315 |
| QTY/CTN | 5 |
| Net Weight | 14 |
| Gross Weight | 15 |