



# Storm Modular Floodlight

## 1200W

### Applications:

Residential and Commercial Applications.

- Coastal Grade 1100 coastal powder coated aluminium frame with 1060 pure aluminium radiating modules and hollowed out rivets serving as a heat sink.

- 316 3-part stainless steel bracket designed to decrease installation time whilst preventing rust and corrosion.

- High Power Lumileds 5050 SMD Chips with an efficacy of 180lm/W.

- Standard @ 90° with optional 20°/asymmetrical beam optics also available.

- Anti-Glare Focus Baffle included with all lights, allowing for a decrease in glare enhancing eye comfort.

- Built in 10kV surge protection allowing for use within the most demanding environments.

- Resistant to UV rays with a wide operating temperature of -40°C to 60°C.

### Product Performance

<b>Wattage</b>	1200W
<b>Colour Temperature &amp; Stock Code</b>	5700K 90D - F041
<b>Operating Temperature</b>	-40°C to 60°C
<b>Life Span/ LB Rating</b>	L80B20>50000H
<b>IP Rating</b>	IP66
<b>LED Driver Brand</b>	Inventronics Driver
<b>Beam Angle</b>	90° (20°, F040A - RA30 optional)
<b>Impact Protection Grade</b>	IK10
<b>Input Voltage</b>	AC90V-305V
<b>Surge Protection</b>	10kV
<b>Power Factor</b>	0.9
<b>CRI</b>	>83
<b>Lumen Output</b>	216 000
<b>Lumen Efficiency</b>	180lm/W
<b>LED Chips</b>	Lumileds 5050
<b>LED Chips Qty</b>	460
<b>Dimmable</b>	Non-Dimmable
<b>Dimmable Range</b>	-
<b>(Dali/Trailing/Leading)</b>	-

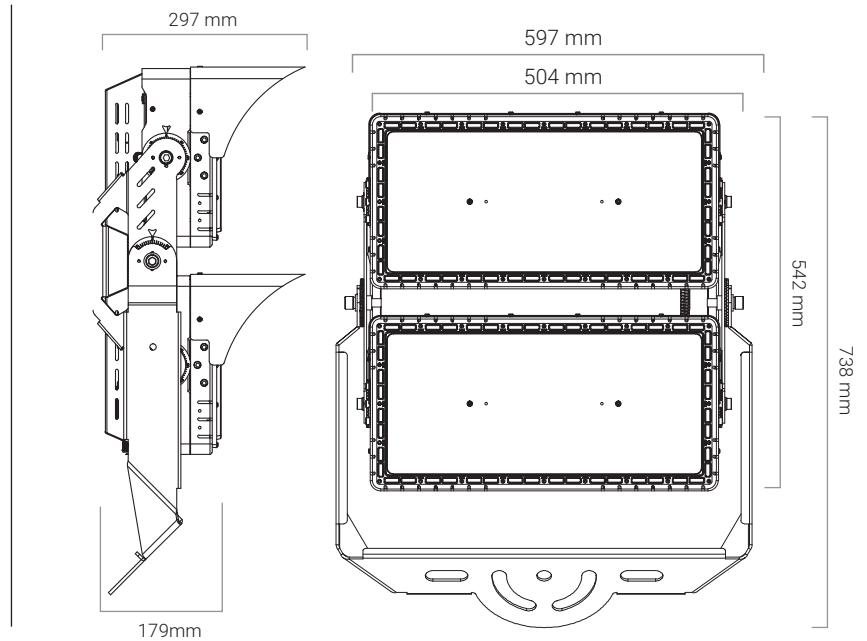
### Physical Characteristics

<b>Weight (kg)</b>	23,3
<b>Housing Material</b>	Aluminium
<b>Product Dimensions (mm)</b>	597*738*179
<b>Cable Length</b>	0.3m
<b>Mounting Option</b>	-
<b>Bracket Material</b>	316 3-part Stainless Steel Bracket & Barrier
<b>Bolts and Screws</b>	316 Stainless Steel

## Packaging



## Dimension Drawing



## Technical Parameters

<b>Input Current</b>	5200mA
<b>Output Voltage</b>	56
<b>Flicker Free (Y/N)</b>	Yes
<b>Humidity</b>	40%~80%
<b>Frequency</b>	47-63hz
<b>In Rush Current</b>	180A
<b>Output Current</b>	19A
<b>THD</b>	<20%
<b>TA &amp; TC</b>	TA=-20 ~45 °C/TC=65°C
<b>IES (Yes or No)</b>	Yes

## Regulatory Qualifications

<b>Class Rating</b>	Class I
<b>Energy Efficiency</b>	A
<b>Certification</b>	CE, RoHs, IEC62031, IEC60598, IEC62471

## Accessories

### Optional accessories

RA30 x 2 for STORM - F040A | 20° lens x 2 for STORM - F040B  
 RA30L20 lens x 2 for STORM - F040C  
 A100R40 x 2 for STORM - F040D

## Packaging info

<b>Storage Temp</b>	-40~+60°C
<b>Carton Size (mm)</b>	830*680*250
<b>QTY/CTN</b>	1
<b>Net Weight</b>	23,3
<b>Gross Weight</b>	25,6



**PIOLED  
LIGHTING**

SINCE 2008

