



Storm Modular Floodlight

600W

Applications:

Residential and Commercial Applications.

- Coastal Grade 1100 coastal powder coated aluminium frame with 1060 pure aluminium radiating modules and hollowed out rivets serving as a heat sink.

- 316 3-part stainless steel bracket designed to decrease installation time whilst preventing rust and corrosion.

- High Power Lumileds 5050 SMD Chips with an efficacy of 180lm/W.

- Standard @ 90° with optional 20°/asymmetrical beam optics also available.

- Anti-Glare Focus Baffle included with all lights, allowing for a decrease in glare enhancing eye comfort.

- Built in 10kV surge protection allowing for use within the most demanding environments.

- Resistant to UV rays with a wide operating temperature of -40°C to 60°C.

Product Performance

Wattage	600W
Colour Temperature & Stock Code	5700K 90D - F040
Operating Temperature	-40°C to 60°C
Life Span/ LB Rating	L80B20>50000H
IP Rating	IP66
LED Driver Brand	Inventronics Driver
Beam Angle	90° (20°, F040A - RA30 optional)
Impact Protection Grade	IK10
Input Voltage	AC90V-305V
Surge Protection	10kV
Power Factor	0.9
CRI	>83
Lumen Output	108 000
Lumen Efficiency	180lm/W
LED Chips	Lumileds 5050
LED Chips Qty	230
Dimmable	Non-Dimmable
Dimmable Range	-
(Dali/Trailing/Leading)	-

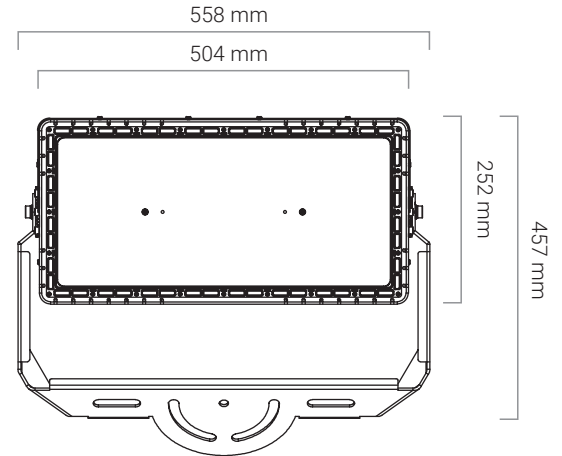
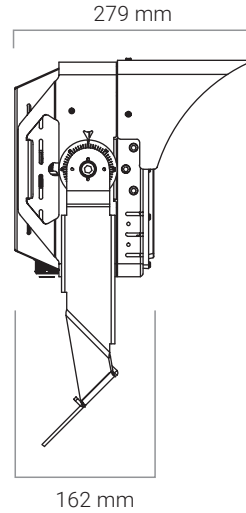
Physical Characteristics

Weight (kg)	11,7
Housing Material	Aluminium
Product Dimensions (mm)	558*457*162
Cable Length	0.3m
Mounting Option	-
Bracket Material	316 3-part Stainless Steel Bracket & Barrier
Bolts and Screws	316 Stainless Steel

Packaging



Dimension Drawing



Technical Parameters

Input Current	2600mA
Output Voltage	56
Flicker Free (Y/N)	Yes
Humidity	40%~80%
Frequency	47-63hz
In Rush Current	90A
Output Current	9.5A
THD	<20%
TA & TC	TA=-20 ~45 °C/TC=65°C
IES (Yes or No)	Yes

Regulatory Qualifications

Class Rating	Class I
Energy Efficiency	A
Certification	CE, RoHs, IEC62031, IEC60598, IEC62471

Accessories

Optional accessories	RA30 x 1 for STORM - F040A 20° lens x 1 for STORM - F040B RA30L20 lens x 1 for STORM - F040C A100R40 x 1 for STORM - F040D
-----------------------------	--

Packaging info

Storage Temp	-40~+60°C
Carton Size (mm)	630*535*230
QTY/CTN	1
Net Weight	11,7
Gross Weight	13,7



**PIOLED
LIGHTING**

SINCE 2008

