



Storm Modular Floodlight

300W

Applications:

Residential and Commercial Applications.

- Coastal Grade 1100 coastal powder coated aluminium frame with 1060 pure aluminium radiating modules and hollowed out rivets serving as a heat sink.
- 316 3-part stainless steel bracket designed to decrease installation time whilst preventing rust and corrosion.
- High Power Lumileds 5050 SMD Chips with an efficacy of 180lm/W.
- Anti-Glare Focus Baffle included with all lights, allowing for a decrease in glare enhancing eye comfort.
- Built in 10kV surge protection allowing for use within the most demanding environments.
- Resistant to UV rays with a wide operating temperature of -40°C to 60°C.

Product Performance

Wattage	300W
Colour Temperature & Stock Code	5700K 90D - F039
Operating Temperature	-40°C to 60°C
Life Span/ LB Rating	L80B20>50000H
IP Rating	IP67
LED Driver Brand	Inventronics Driver
Beam Angle	90°
Impact Protection Grade	IK10
Input Voltage	AC90V-305V
Surge Protection	10kV
Power Factor	0.9
CRI	>83
Lumen Output	54 000
Lumen Efficiency	180lm/W
LED Chips	Lumileds 5050
LED Chips Qty	100
Dimmable	Non-Dimmable
Dimmable Range	-
(Dali/Trailing/Leading)	-

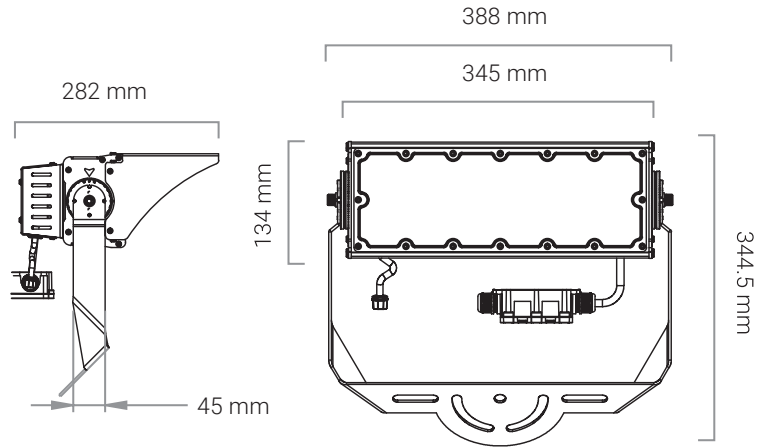
Physical Characteristics

Weight (kg)	4.75
Housing Material	Aluminium
Product Dimensions (mm)	388*150*131
Cable Length	0.3m
Mounting Option	-
Bracket Material	316 3-part Stainless Steel Bracket & Barrier
Bolts and Screws	316 Stainless Steel

Packaging



Dimension Drawing



Technical Parameters

Input Current	1300mA
Output Voltage	56
Flicker Free (Y/N)	Yes
Humidity	40%~80%
Frequency	50-60hz
In Rush Current	45A
Output Current	4.6A
THD	<20%
TA & TC	TA=-20 ~45 °C/TC=65°C
IES (Yes or No)	Yes

Regulatory Qualifications

Class Rating	Class I
Energy Efficiency	A
Certification	CE, RoHs, IEC62031, IEC60598, IEC62471

Accessories

Optional accessories	-
-----------------------------	---

Packaging info

Storage Temp	-40~+60°C
Carton Size (mm)	450*420*200
QTY/CTN	1
Net Weight	4,7
Gross Weight	5,8

