



Modular Floodlight

120W

*External 10kV Surge Protectors are included with all our Modular Floodlights from July 2022 onwards.

Applications:

Residential and Commercial Applications.

- Coastal Grade 1100 coastal powder coated aluminium frame with 1060 pure aluminium radiating modules and hollowed out rivets serving as a heat sink.

- 316 3-part stainless steel bracket designed to decrease installation time whilst preventing rust and corrosion.

- High Power Lumileds 5050 SMD Chips with an efficacy of 160lm/W.

- 20°/90°/140°x100° (asymmetrical beam angle) optics available. (Standard @ 90°).

- 270° rotatable bracket with each module being able to tilt independently reducing light spillage.

- Built in 10kV surge protection allowing for use within the most demanding environments.

- Resistant to UV rays with a wide operating temperature of -40°C to 50°C.

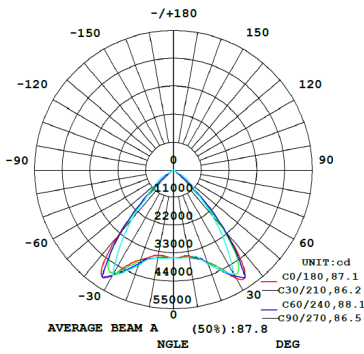
Product Performance

Wattage	120W
Colour Temperature & Stock Code	5700K - F028
Operating Temperature	-20~40°C
Life Span/ LB Rating	L80B20>50000H
IP Rating	IP65
LED Driver Brand	Mean Well
Beam Angle	90°
Impact Protection Grade	IK10
Input Voltage	90V- 305V
Surge Protection	10kV
Power Factor	0.95
CRI	>83
Lumen Output	19 200
Lumen Efficiency	160lm/W
LED Chips	Lumileds 5050
LED Chips Qty	46
Dimmable	Non-Dimmable
Dimmable Range	-
(Dali/Trailing/Leading)	-

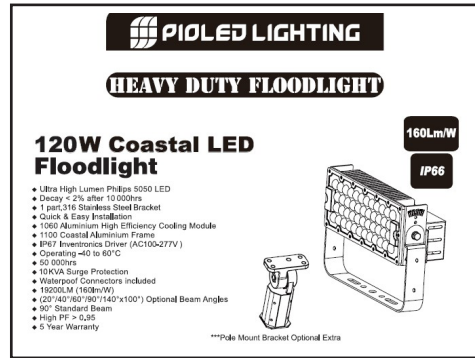
Physical Characteristics

Weight (kg)	2.9
Housing Material	Pure Aluminium
Product Dimensions (mm)	H 212 x L 310 x W 116
Cable Length	0.3
Mounting Option	-
Bracket Material	316 3-part Stainless Steel Bracket
Bolts and Screws	316 Stainless Steel

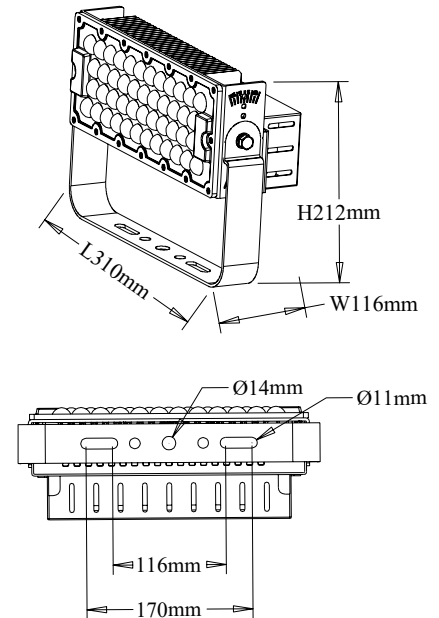
Luminous Intensity Distribution Diagram



Packaging



Dimension Drawing



Technical Parameters

Input Current	600mA
Output Voltage	48
Flicker Free (Y/N)	Yes
Humidity	40%~80%
Frequency	47-63hz
In Rush Current	65A MeanWell
Output Current	2.3A
THD	<20%
TA & TC	TA=-20 ~45 °C/TC=65°C
IES (Yes or No)	Yes

Regulatory Qualifications

Class Rating	Class I
Energy Efficiency	A
Certification	CE, EMC, IEC60958, RoHS, ISO9001

Accessories

Optional accessories	Pole mount bracket - F025D 20° lens x 1(F025 to 29) - F025A 140*100° lens x 1(F025 to 29) - F025B
----------------------	---

Packaging info

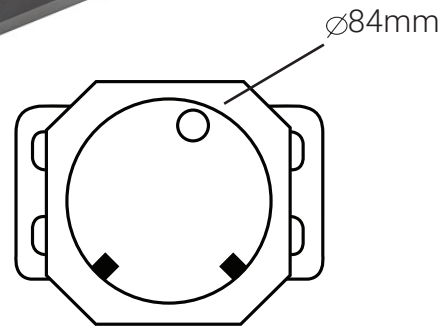
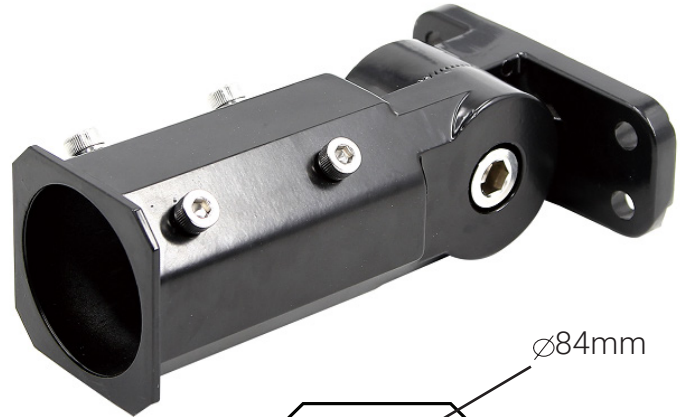
Storage Temp	-40~+60°C
Carton Size (mm)	365*171*273
QTY/CTN	1
Net Weight	3
Gross Weight	3.5



PIOLED
LIGHTING
SINCE 2008

Modular Accessories

F025D - Pole Holder D84
Costal HD 20-240W
Aluminium and Stainless
Steel Bolts
211mm x 125mm x 75mm



120W



240W

