



Voltron 4CCT & 3 Wattage Coastal Floodlight

100/80/60W

Applications:

Residential and Commercial Applications.

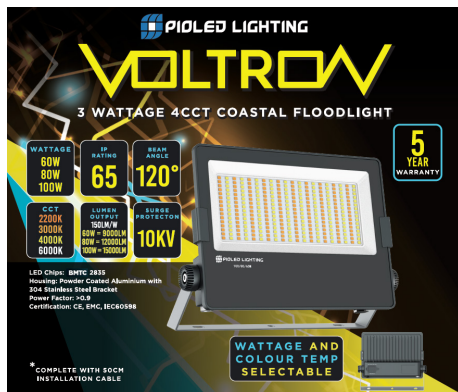
Product Performance

Wattage	100W/80W/60W
Colour Temperature & Stock Code	2200/3000/4000/6000K - F023
Operating Temperature	-20~40°C
Life Span/ LB Rating	L70B50@50000 hrs
IP Rating	IP65
LED Driver Brand	High Spec PioLED Driver
Beam Angle	120°
Impact Protection Grade	IK06
Input Voltage	100V- 265V
Surge Protection	10kV
Power Factor	0.9
CRI	>80
Lumen Output	100W = 15 000lm 80W = 12 000lm 60W = 9 000lm
Lumen Efficiency	150lm/W
LED Chips	BMTC 2835
LED Chips Qty	320

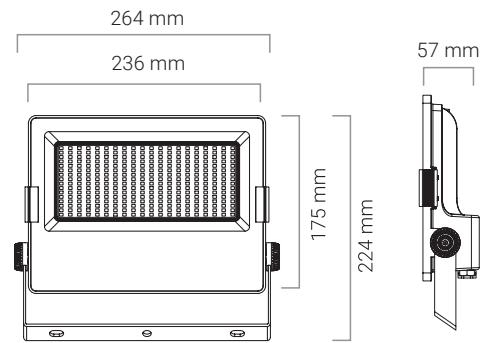
Physical Characteristics

Weight (kg)	1550g
Housing Material	Powder Coated Aluminium
Product Dimensions (mm)	264*57*224
Cable Length	50cm
Mounting Option	-
Bracket Material	304 Stainless Steel Bracket
Bolts and Screws	Stainless Steel

Packaging



Dimension Drawing



Technical Parameters

Input Current	0.4A-1.0A
Output Voltage	450V
Humidity	40%-60%
Frequency	50/60Hz
In Rush Current	350A
Output Current	0.22A
THD	<20%
TA & TC	TA=90/TC=85
IES (Yes or No)	Yes

Regulatory Qualifications

Class Rating	Class I
Energy Efficiency	A
Certification	CE, EMC, IEC60598

Accessories

Optional accessories	-
-----------------------------	---

Packaging info

Storage Temp	-20~+40°C
Carton Size (mm)	56.5x28x25.5
QTY/CTN	8
Net Weight	12,4
Gross Weight	14,2