

Voltron 4CCT & 3 Wattage Coastal Floodlight

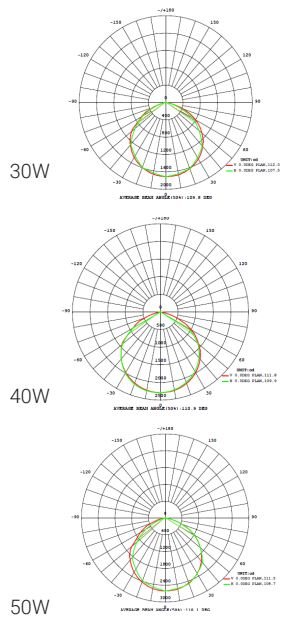
50/40/30W

Applications:

Residential and Commercial Applications.

Product Performance	
Wattage	50W/40W/30W
Colour Temperature & Stock Code	2200/3000/4000/6000K - F020
Operating Temperature	-20~40°C
Life Span/ LB Rating	L70B50@50000 hrs
IP Rating	IP65
LED Driver Brand	High Spec PiOLED Driver
Beam Angle	120°
Impact Protection Grade	IK06
Input Voltage	100V- 265V
Surge Protection	10kV
Power Factor	0.9
CRI	>80
Lumen Output	50W = 7500lm 40W = 6000lm 30W = 4500lm
Lumen Efficiency	150lm/W
LED Chips	Lumileds 2835
LED Chips Qty	160
Physical Characteristics	
Weight (kg)	820g
Housing Material	Powder Coated Aluminium
Product Dimensions (mm)	194*174*55
Cable Length	50cm
Mounting Option	-
Bracket Material	304 Stainless Steel Bracket
Bolts and Screws	Stainless Steel

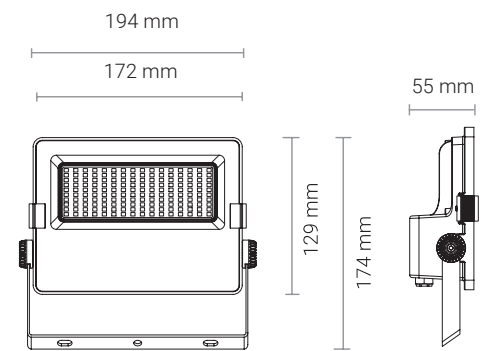
Luminous Intensity Distribution Diagram



Packaging



Dimension Drawing



Technical Parameters

Input Current	0.19A-0.52A
Output Voltage	450V
Humidity	40%-60%
Frequency	50/60Hz
In Rush Current	250A
Output Current	0.11A
THD	<20%
TA & TC	TA=90/TC=85
IES (Yes or No)	Yes

Regulatory Qualifications

Class Rating	Class I
Energy Efficiency	A
Certification	CE, EMC, IEC60598

Accessories

Optional accessories	-
-----------------------------	---

Packaging info

Storage Temp	-20~+40°C
Carton Size (mm)	42*29.5*39
QTY/CTN	20
Net Weight	16,5
Gross Weight	18,7