



Motion Sensor
ON/OFF



Summit Solar Street Light

300W

Applications:

Residential and Commercial Applications.

- Full Solar Powered LED Streetlight, providing 4 500 lumens with **Sanan SMD LED Chips**.
- **Multiple Brightness settings** to ensure longevity of the LEDs, as well as power conservation. The **Motion Sensor mode** is also available and can be turned on/off with the remote control.
- The **Lithium Ion battery** is housed on the Solar Panel, allowing for larger capacity ensuring a longer time with a higher lumen output.
- **Disc Swivel Bracket** provided to allow for precise aiming of the solar power allowing for maximum radiation.
- **IP66 Rated Luminaire**, providing ample protection against rain & dust.
- Environmentally LED solution containing **no mercury or harmful chemicals**.
- **Pure Aluminium Housing & Fins**, serving as a quick and efficient heatsink increasing the LEDs Lifespan.

Product Performance

Colour Temperature & Stock Code

- 6000K Motion Sensor - **FS101S**
- 4000K Motion Sensor - **FS102S**

Operating Temperature

-25~45°C

IP Rating

IP66

Beam Angle

Type II Lens

Impact Protection Grade

IK06

Input Voltage

17.5-19.5V

CRI

>70

Lumen Output

4 500 Lumens

LED Chips

2835

LED Chips Qty

72

LED Chip Brand

Sanan

Physical Characteristics

Weight (kg)

3.62

Housing Material

Aluminum

Product Dimensions (mm)

444*115*72

Cable Length

50cm

Mounting Option

Disk

Bracket Material

201 Stainless steel

Bolts and Screws

Stainless steel

Battery

Battery

32700 Lithium LFP Battery X 9

Battery Specs

9.6V 18Ah

Battery Replaceable

Yes

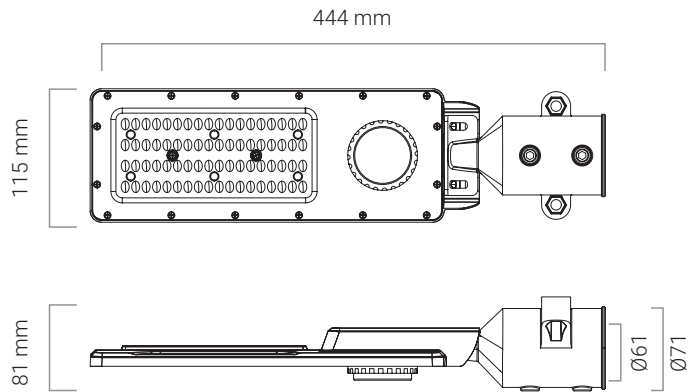
Automatic Mode

Lasts >15 hours

Packaging



Dimension Drawing



Technical Parameters

Input Current	2.2A
Output Voltage	28-30V
Flicker(Y/N)	No Flicker
Humidity	0~35°C
Output Current	0.9A
TA & TC	90&85
IES (Yes or No)	No

Regulatory Qualifications

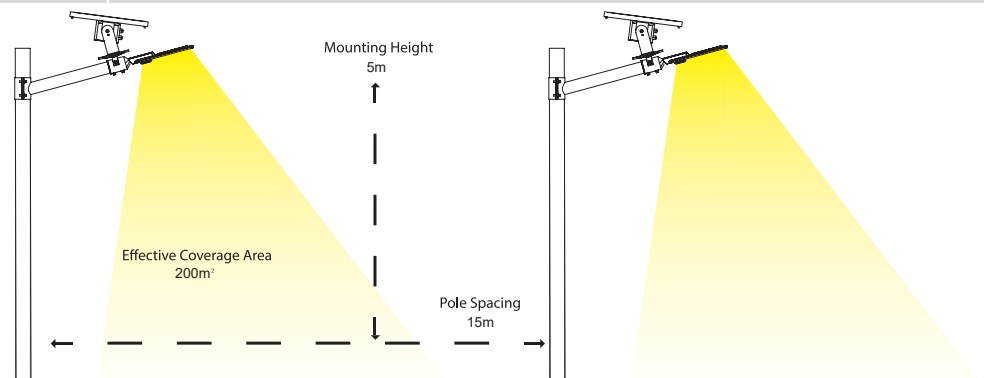
Class Rating	Class III
Energy Efficiency	A
Certification	CE, EMC, MSDS, UN38.3

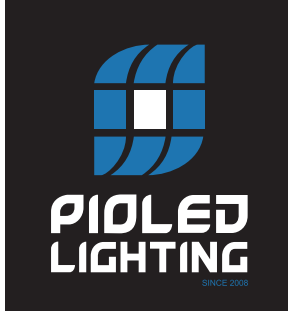
Accessories

Accessories	FS120 - 9.6V 18AH 32700 LFP battery x 9 for SUMMIT 30W FS131 - 50CM Black Pole Arm - Galvanized Iron + Black Powder Coat Paint FS132 - Aluminium D76 POLE Adaptor for SUMMIT Black (If Panel is on Top of The Pole)
--------------------	--

Packaging info

Storage Temp	20~40°
Carton Size (mm)	57.5*31.5*20
QTY/CTN	2
Net Weight	9kg
Gross Weight	10.5kg





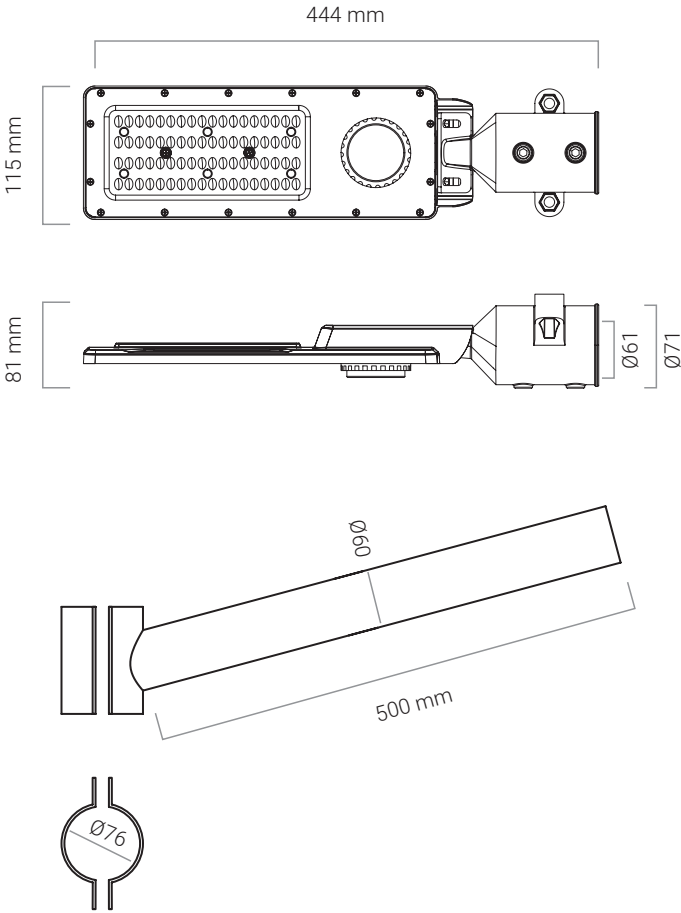
Summit Solar Panel

40W

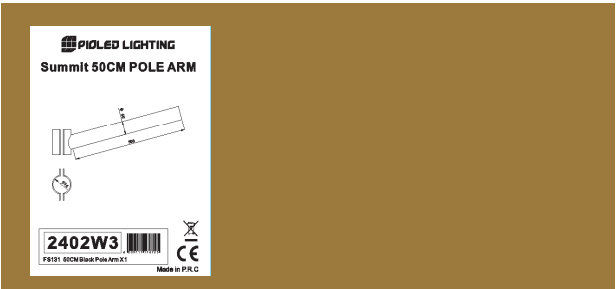
Product Performance	
Wattage	40W (21% efficiency Monocrystalline solar)
Stock Code	FS101P
Operating Temperature	0~35°C
IP Rating	IP66
Physical Characteristics	
Weight (kg)	3.05
Product Dimensions (mm)	600x400x25
Bracket Material	201 Stainless steel
Bolts and Screws	Stainless steel
Output Voltage	15V
Humidity	0~35°C
Output Current	2.2A
TA & TC	90&85
Energy Efficiency	A
Packaging info	
Storage Temp	20~40°
Carton Size (mm)	64*16.5*43
QTY/CTN	2
Net Weight	6,1kg
Gross Weight	8.3kg

Summit Pole Arm & Panel

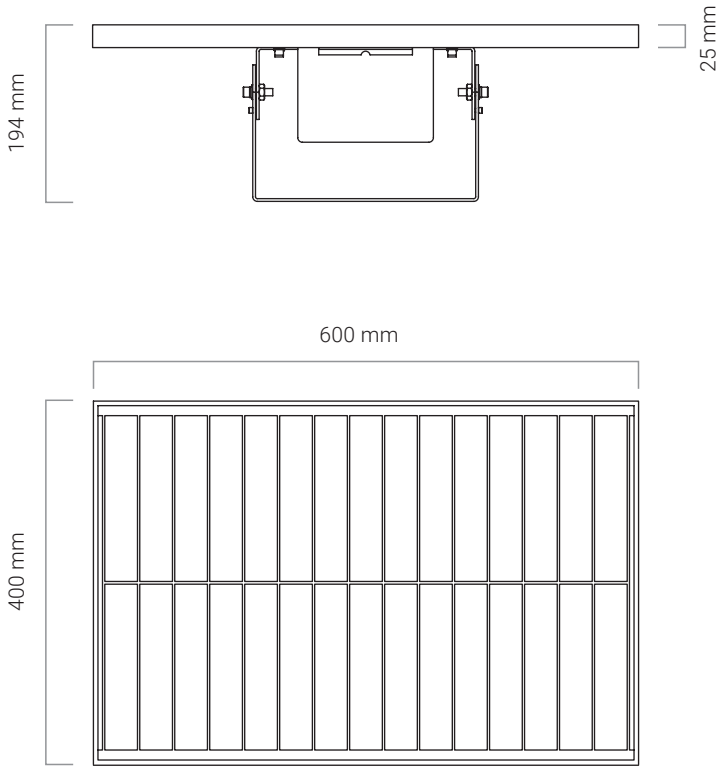
Dimension Drawing Pole Arm



Packaging



Dimension Drawing Panel



Packaging

