



# Recessed Round Ceiling Light

24W

## Applications:

Residential and Commercial Applications.

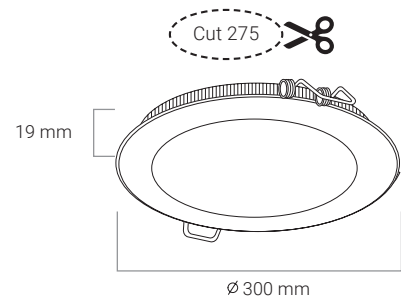
- Ultra Slim Maintenance Free LED Downlight.
- Frosted Polycarbonate Diffuser allowing for uniform light distribution.
- Pure Aluminium housing for excellent thermal management.
- Dimmable / Dali Optional.
- Available in 3CCT 3000K/4000K/6000K.
- Sanan SMD LED Chips.
- Instant on flicker free LED Driver.
- Ideal for offices, hospitals, schools, corridors etc.
- High Power Factor, low THD driver.
- 1.5kV Built in Surge Protection.
- Short Circuit Protection, Over Current Protection, Over Voltage Protection, Under Voltage Protection, Over Temperature Protection.
- 3mm PMMA Light Guide preventing dark spots and yellowing through extended usage.

Product Performance	
<b>Wattage</b>	24W
<b>Colour Temperature &amp; Stock</b>	<b>i022</b> 3CCT( 3000K/4000K/6000K)
<b>Operating Temperature</b>	-20~45°C
<b>Life Span/ LB Rating</b>	L80B10@50 000hrs
<b>IP Rating</b>	40
<b>LED Driver</b>	High Spec PiOLED Driver
<b>Beam Angle</b>	180°
<b>Input Voltage</b>	85V- 277V
<b>CRI</b>	>80
<b>Power Factor</b>	>0.9
<b>Surge Protection</b>	1.5kV
<b>Lumen Output</b>	2400lm
<b>Lumen Efficiency (per watt)</b>	>100lm/W
<b>LED Chips</b>	2835 SMD
<b>LED Chips Qty</b>	240
<b>Dimmable</b>	Optional Dimmable Driver 24W Dim <b>i012Di</b>
<b>Dimmable Range</b>	-
<b>(Dali/Trailing/Leading)</b>	-
<b>UGR</b>	-
Physical Characteristics	
<b>Weight (g)</b>	510
<b>Housing Material</b>	Aluminium
<b>Product Dimensions (mm)</b>	300 mm*19mm
<b>Cable length</b>	10-12cm
<b>Mounting Option</b>	Recessed
<b>Bracket Material</b>	-
<b>Bolts and Screws</b>	Stainless Steel

## Packaging



## Dimension Drawing



### Technical Parameters

<b>Input Current</b>	107mA
<b>Output Voltage</b>	45-84V
<b>Flicker Free (Y/N)</b>	Yes
<b>Humidity</b>	80%
<b>Frequency</b>	50-60Hz
<b>In Rush Current</b>	-
<b>Output Current</b>	300mA
<b>THD</b>	10%-15%
<b>TA &amp; TC</b>	45/85
<b>IES (Yes or No)</b>	Yes

### Regulatory Qualifications

<b>Class Rating</b>	Class I
<b>Energy Efficiency</b>	F
<b>Certification</b>	CE, EMC, IEC60598, TUV, LVD, SAA, RoHS, ISO9001

### Accessories

<b>Optional accessories</b>	Dimmable Driver 24W Dim <b>i012Di</b> 24W Driver <b>i012PS</b>
-----------------------------	---

### Packaging info

<b>Storage Temp</b>	-20°C-80°C
<b>Carton Size (mm)</b>	63*41*36
<b>QTY/CTN</b>	20
<b>Net Weight (kg)</b>	12
<b>Gross Weight (kg)</b>	16.5