



IP44 Sensor Specs
 Ambient brightness: 5LUX±5 - 2000LUX
 Lighting Delay: 10s±5s - 10min±2min
 Detection Distance: 4m - 8m±2m
 Detecting Angle: 120°



Oober Sensor Floodlight

30W

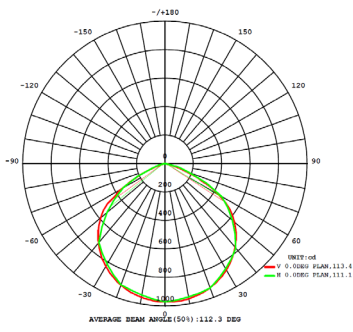
Applications:

Residential and Commercial Applications.

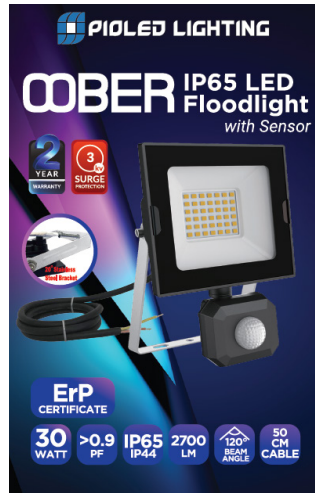
- Die-Cast Aluminium housing with dynamic fins providing as an efficient and effective heatsink.
- Driver on Board Technology allowing for a super compact, unobtrusive LED Floodlight.
- 50cm pre wired cable allowing for fast and easy installations.
- Pre-Installed Safety Clips protecting the LED Floodlights lens.
- 2835 Sanán LED Chips producing a CRI>83.
- 120° Wide Beam Angle allowing for maximum coverage and uniformity.
- 3kV Surge protection, designed for use specifically in the South African Market.

Product Performance	
Wattage	30W
Colour Temperature & Stock Code	6000K F356S 3000K F358S
Operating Temperature	-30~45°C
Life Span/ LB Rating	25 000hrs
IP Rating	IP44
LED Driver Brand	DOB
Beam Angle	120°
Impact Protection Grade	IK06
Input Voltage	200V- 260V
Surge Protection	3kV
Power Factor	0.9
CRI	>83
Lumen Output	2700
Lumen Efficiency	90lm/W
LED Chips	2835 Sanan
LED Chips Qty	42
Dimmable	Non-Dimmable
Dimmable Range	-
UGR	-
(Dali/Trailing/Leading)	-
Physical Characteristics	
Weight (g)	370
Housing Material	Die cast Aluminium
Product Dimensions (mm)	110*153*57
Cable Length	50cm
Mounting Option	-
Bracket Material	Stainless steel
Bolts and Screws	Stainless steel

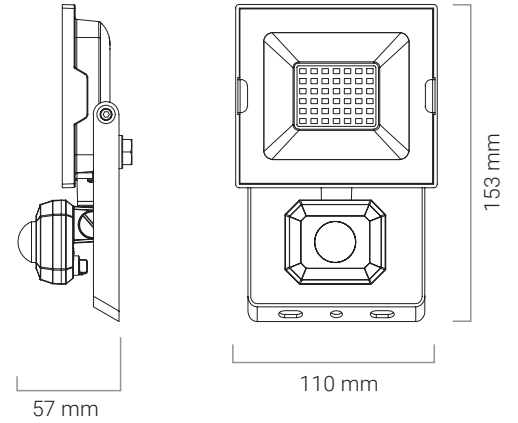
Luminous Intensity Distribution Diagram



Packaging



Dimension Drawing



Technical Parameters

Input Current	129ma
Output Voltage	252
Humidity	-20-45°C
Frequency	50Hz
In Rush Current	800A
Output Current	120mA
THD	<15%
TA & TC	TA=90/TC=85
IES (Yes or No)	Yes

Regulatory Qualifications

Class Rating	Class I
Energy Efficiency	A
Certification	CE, EMC, IEC60598

Accessories

Optional accessories	-
-----------------------------	---

Packaging info

Storage Temp	20-40°C
Carton Size (mm)	47.5*37*20
QTY/CTN	20
Net Weight	7,4
Gross Weight	9,0