



# Arena UFO Highbay

## 120/150/200W

### Applications:

Residential and Commercial Applications.

- One Highbay, Multiple wattages, available in two versatile modes, 65W/80W/100W or 120W/150W/200W easily adjustable via the built in dipswitch
- High output efficiency, powered by our Lumileds 2835 SMD LED chips, producing >150lm/w.
- 90° focused beam angle offering uniform distribution, making it the ideal solution for Warehouses & Commercial applications.
- Designed for use in tough environments with an operating temperature of -30°C ~ 50°C, an IP65 rating and a built in 6kV Surge Protection.
- Durable Pure Aluminium Bodied LED Highbay with heat fins, designed to quickly dissipate any Heat ensuring the longevity of the LED Luminaire.
- Supplied with a 1m safety cable for secure overhead installations.
- 5700K Cool White Light Output, offering a high visibility solution for workspaces, where safety and clarity are essential.
- Optional Aluminium Dome attachment for a more focused light, whilst assisting in a reduction of glare.
- 100-277V Wide Voltage Range, ensure reliability over long term usage.

### Product Performance

<b>Wattage</b>	120W/150W/200W (All-in-one)
<b>Colour Temperature &amp; Stock Code</b>	5700K 90° - <b>HB411</b>
<b>Operating Temperature</b>	-30~50°C
<b>Life Span/ LB Rating</b>	L80B10@50000 hrs
<b>IP Rating</b>	IP65
<b>LED Driver Brand</b>	Moso Driver
<b>Beam Angle</b>	90°
<b>Impact Protection Grade</b>	IK08
<b>Input Voltage</b>	100V- 277V
<b>Surge Protection</b>	6kV
<b>Power Factor</b>	>0.9
<b>CRI</b>	>70
<b>Lumen Output</b>	120W= >18000lm   150W= >22500lm 200W= >30000lm
<b>Lumen Efficiency</b>	>150lm/W
<b>LED Chips</b>	Lumileds 2835
<b>LED Chips Qty</b>	252
<b>Dimmable</b>	No
<b>(Dali/Trailing/Leading)</b>	-

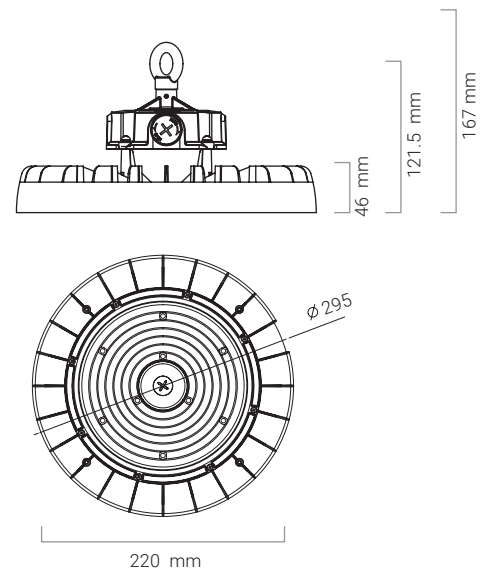
### Physical Characteristics

<b>Weight (kg)</b>	1.8
<b>Housing Material</b>	Aluminium
<b>Product Dimensions (mm)</b>	Φ295*121.5mm
<b>Cable Length</b>	0.3 meter
<b>Mounting Option</b>	Hook and U bracket
<b>Bracket Material</b>	Iron
<b>Bolts and Screws</b>	304 Stainless Steel

## Packaging



## Dimension Drawing



### Technical Parameters

<b>Input Current</b>	0.92A @230V AC
<b>Output Voltage</b>	252V DC
<b>Humidity</b>	10-100%RH
<b>Frequency</b>	50/60Hz
<b>In Rush Current</b>	100A
<b>Output Current</b>	0.8A
<b>THD</b>	<10%
<b>TA &amp; TC</b>	Ta 50°C Tc 90°C

### Regulatory Qualifications

<b>Class Rating</b>	Class I
<b>Energy Efficiency</b>	A
<b>Certification</b>	CE, RoHs, ErP

### Accessories

#### Optional accessories

**HB410A** - Bracket for Arena UFO highbay  
**HB410B** - Aluminium Shade for Arena UFO highbay

### Packaging info

<b>Storage Temp</b>	-30~+50°C
<b>Carton Size (mm)</b>	650*330*365
<b>QTY/CTN</b>	4
<b>Net Weight</b>	8
<b>Gross Weight</b>	11.5