



Arena UFO Highbay

65/80/100W

Applications:

Residential and Commercial Applications.

- One Highbay, Multiple wattages, available in two versatile modes, 65W/80W/100W or 120W/150W/200W easily adjustable via the built in dipswitch
- High output efficiency, powered by our Lumileds 2835 SMD LED chips, producing >150lm/w.
- 90° focused beam angle offering uniform distribution, making it the ideal solution for Warehouses & Commercial applications.
- Designed for use in tough environments with an operating temperature of -30°C ~ 50°C, an IP65 rating and a built in 6kV Surge Protection.
- Durable Pure Aluminium Bodied LED Highbay with heat fins, designed to quickly dissipate any Heat ensuring the longevity of the LED Luminaire.
- Supplied with a 1m safety cable for secure overhead installations.
- 5700K Cool White Light Output, offering a high visibility solution for workspaces, where safety and clarity are essential.
- Optional Aluminium Dome attachment for a more focused light, whilst assisting in a reduction of glare.
- 100-277V Wide Voltage Range, ensure reliability over long term usage.

Product Performance

Wattage	65W/80W/100W (All-in-one)
Colour Temperature & Stock Code	5700K 90° - HB410
Operating Temperature	-30~50°C
Life Span/ LB Rating	L80B10@50000 hrs
IP Rating	IP65
LED Driver Brand	Moso Driver
Beam Angle	90°
Impact Protection Grade	IK08
Input Voltage	100V- 277V
Surge Protection	6kV
Power Factor	>0.9
CRI	70
Lumen Output	65W= >9750lm 80W= >12000lm 100W= >15000lm
Lumen Efficiency	>150lm/W
LED Chips	Lumileds 2835
LED Chips Qty	140
Dimmable	No
(Dali/Trailing/Leading)	-

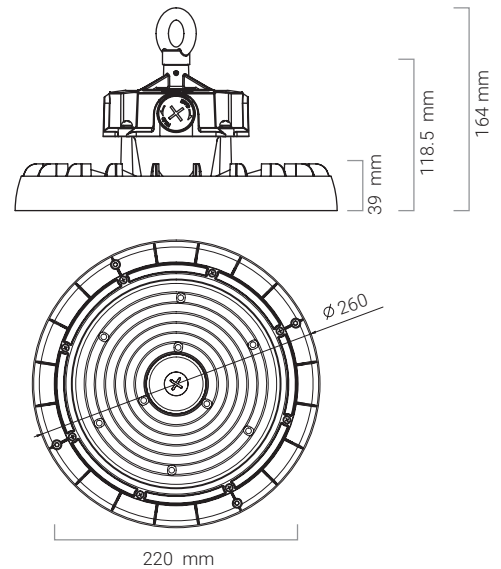
Physical Characteristics

Weight (kg)	1.6
Housing Material	Aluminium
Product Dimensions (mm)	Φ260*118.5mm
Cable Length	0.3 meter
Mounting Option	Hook and U bracket
Bracket Material	Iron
Bolts and Screws	304 Stainless Steel

Packaging



Dimension Drawing



Technical Parameters

Input Current	0.46A @230V AC
Output Voltage	252V DC
Humidity	10-100%RH
Frequency	50/60Hz
In Rush Current	100A
Output Current	0.4A
THD	<10%
TA & TC	Ta 50°C Tc 90°C

Regulatory Qualifications

Class Rating	Class I
Energy Efficiency	A
Certification	CE, RoHs, ErP

Accessories

Optional accessories

HB410A - Bracket for Arena UFO highbay
HB410B - Aluminium Shade for Arena UFO highbay

Packaging info

Storage Temp	-30~+50°C
Carton Size (mm)	565*290*350
QTY/CTN	4
Net Weight	6.4
Gross Weight	9.2