



# Voltron 4CCT & 3 Wattage Coastal Floodlight

100/80/60W

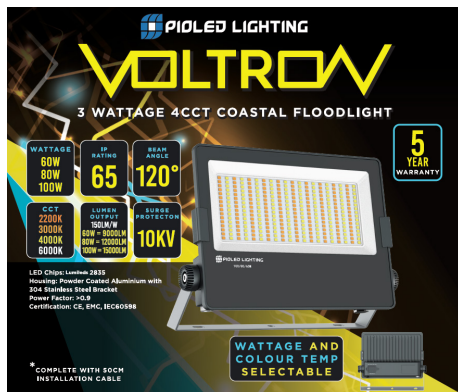
## Applications:

Residential and Commercial Applications.

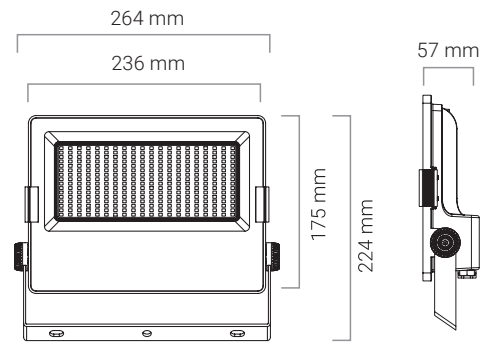
### Product Performance

<b>Wattage</b>	100W/80W/60W
<b>Colour Temperature &amp; Stock Code</b>	2200/3000/4000/6000K - F023
<b>Operating Temperature</b>	-20~40°C
<b>Life Span/ LB Rating</b>	L70B50@50000 hrs
<b>IP Rating</b>	IP65
<b>LED Driver Brand</b>	High Spec PioLED Driver
<b>Beam Angle</b>	120°
<b>Impact Protection Grade</b>	IK06
<b>Input Voltage</b>	100V- 265V
<b>Surge Protection</b>	10kV
<b>Power Factor</b>	0.9
<b>CRI</b>	>80
<b>Lumen Output</b>	100W = 15 000lm   80W = 12 000lm 60W = 9 000lm
<b>Lumen Efficiency</b>	150lm/W
<b>LED Chips</b>	Lumileds 2835
<b>LED Chips Qty</b>	320
<b>Physical Characteristics</b>	
<b>Weight (kg)</b>	1550g
<b>Housing Material</b>	Powder Coated Aluminium
<b>Product Dimensions (mm)</b>	264*57*224
<b>Cable Length</b>	50cm
<b>Mounting Option</b>	-
<b>Bracket Material</b>	304 Stainless Steel Bracket
<b>Bolts and Screws</b>	Stainless Steel

## Packaging



## Dimension Drawing



### Technical Parameters

<b>Input Current</b>	0.4A-1.0A
<b>Output Voltage</b>	450V
<b>Humidity</b>	40%-60%
<b>Frequency</b>	50/60Hz
<b>In Rush Current</b>	350A
<b>Output Current</b>	0.22A
<b>THD</b>	<20%
<b>TA &amp; TC</b>	TA=90/TC=85
<b>IES (Yes or No)</b>	Yes

### Regulatory Qualifications

<b>Class Rating</b>	Class I
<b>Energy Efficiency</b>	A
<b>Certification</b>	CE, EMC, IEC60598

### Accessories

<b>Optional accessories</b>	-
-----------------------------	---

### Packaging info

<b>Storage Temp</b>	-20~+40°C
<b>Carton Size (mm)</b>	56.5x28x25.5
<b>QTY/CTN</b>	8
<b>Net Weight</b>	12,4
<b>Gross Weight</b>	14,2